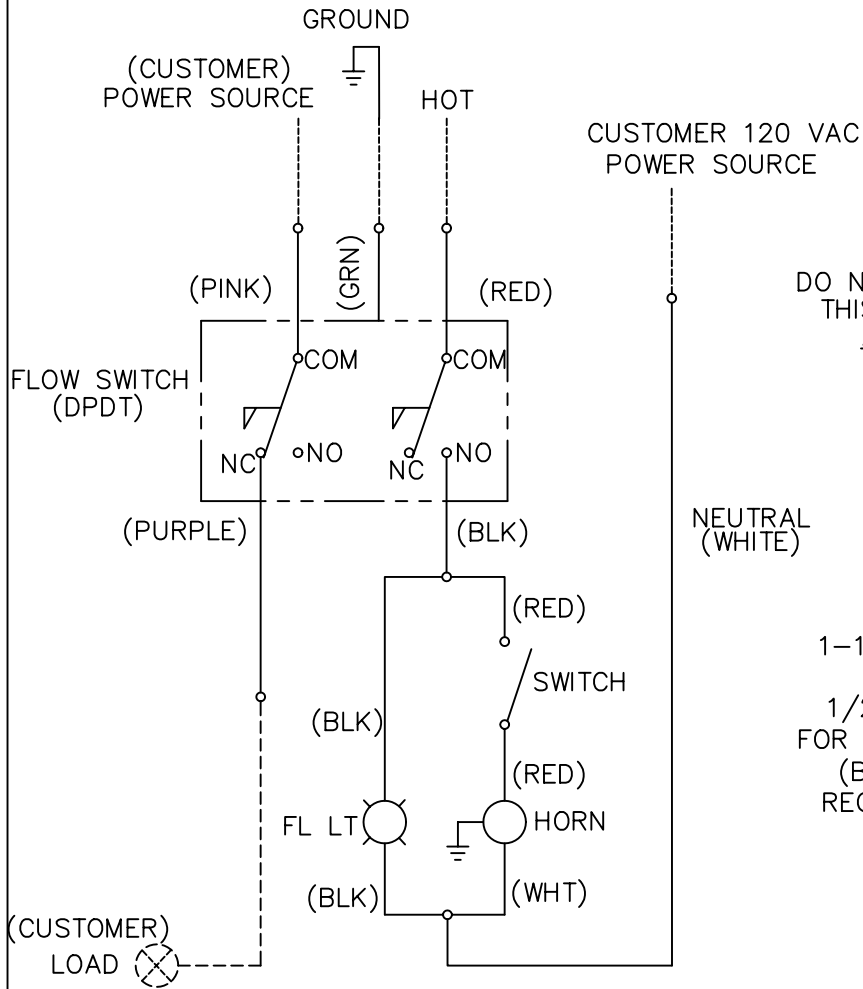
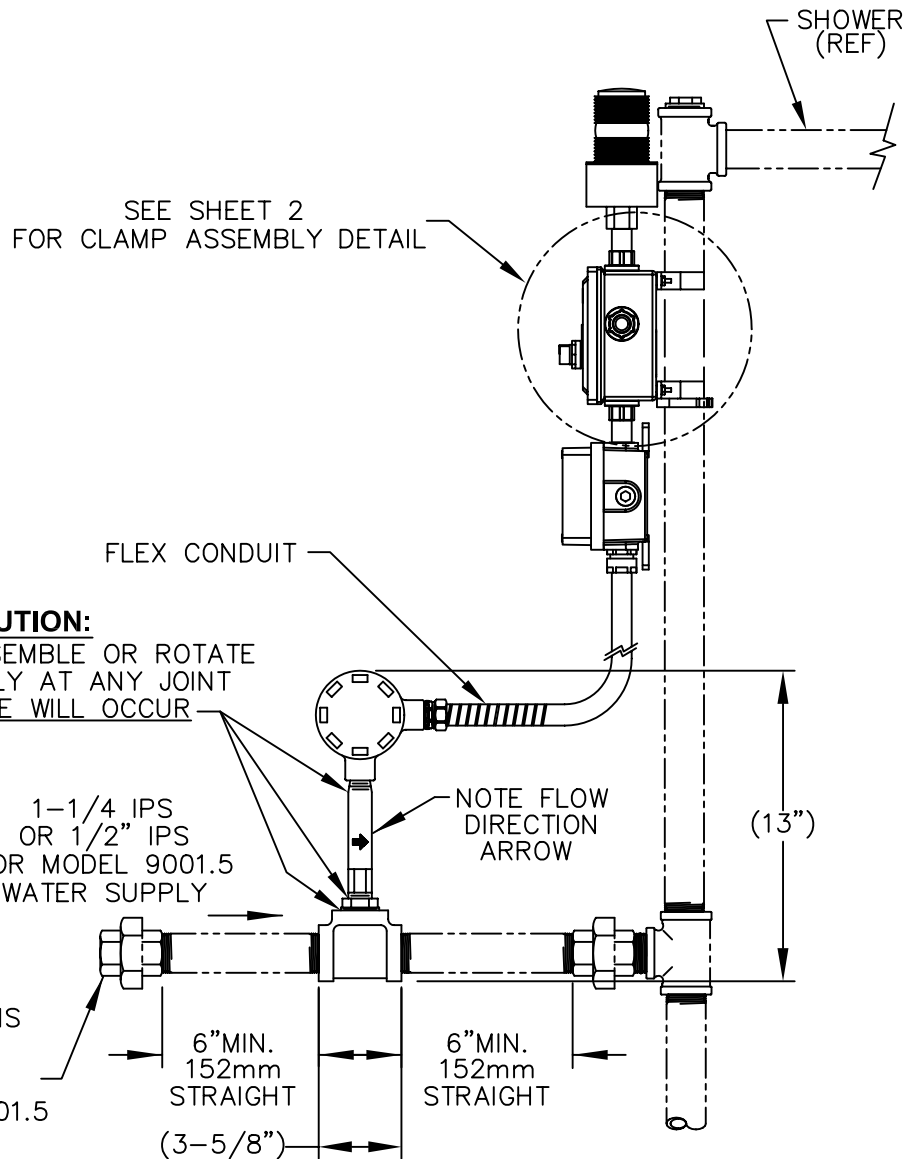


NOTES:

1. THE SIGNAL FROM THE RED WIRE WILL BE SUPPLY VOLTAGE WHEN NO WATER IS FLOWING AND ZERO VOLTAGE WHEN THE FLOW SWITCH AND LOCAL ALARM ARE ACTIVATED. IF A REMOTE ALARM IS NOT USED, THE RED WIRE MUST BE INSULATED AT ITS FREE END. LEAVING THE TWO CRIMP TERMINALS (SUPPLIED) CONNECTED WILL DO THIS.
2. INSTALLER MUST USE A THREAD SEALANT, SUCH AS APPLETON TLC3, RECOMMENDED FOR USE ON ELECTRICAL COMPONENTS ON ALL ELECTRICAL NPT CONNECTIONS.



WIRING DIAGRAM

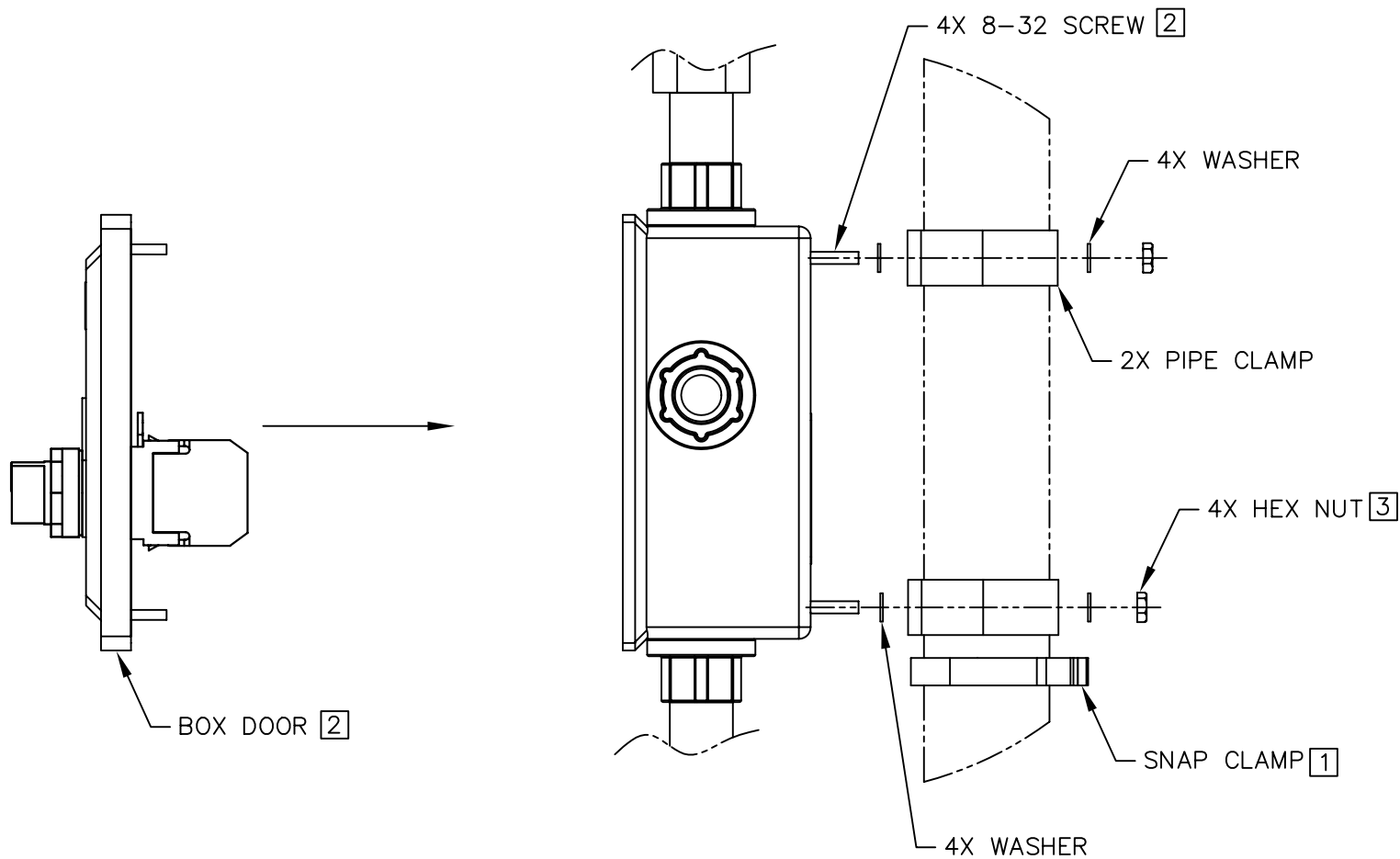


FLOW SWITCH MUST BE MOUNTED IN HORIZONTAL POSITION


		1455 KLEPPE LANE SPARKS, NEVADA 89431 (775) 359-4712 FAX (755) 359-7424 E-MAIL: HAWS@HAWSCO.COM WEBSITE: WWW.HAWSCO.COM	
		ECN NO. REVISED PER BY: MODEL(S) ECN: 4534 SLS: 9001/9001.5 ALARM	PART NUMBER 0002080202.D
DRAWN: C.H. DATE: 01/09/01 CHKD:	APPROVED: DATE:	SCALE: 1:8 DRAWING TYPE: INSTALLATION	SIZE: A SHEET 1 OF 2

NOTES:

- 1 SNAP CLAMP TO BE INSTALLED FIRST FOR VERTICAL SUPPORT.
- 2 SCREWS INSTALLED FROM FRONT, WITH BOX DOOR OFF.
- 3 NUTS TO BE INSTALLED TO A TORQUE OF 12 IN-LBS MAX.



CLAMP ASSEMBLY DETAIL

		1455 KLEPPE LANE SPARKS, NEVADA 89431 (775) 359-4712 FAX (755) 359-7424 E-MAIL: HAWS@HAWS.CO.COM WEBSITE: WWW.HAWS.CO.COM	
		ECN NO. REVISED PER BY: MODEL(S) ECN: 4534 SLS	PART NUMBER 0002080202.D
DRAWN: C.H. DATE: 01/09/01 CHKD:	9001/9001.5 ALARM		DRAWING NO. REV 09254A00 24
APPROVED: DATE:	SCALE: 1:8	DRAWING TYPE: INSTALLATION	SIZE: A SHEET 2 OF 2