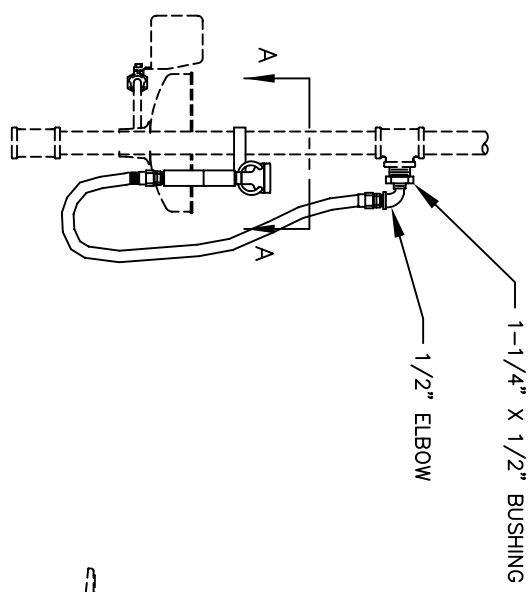
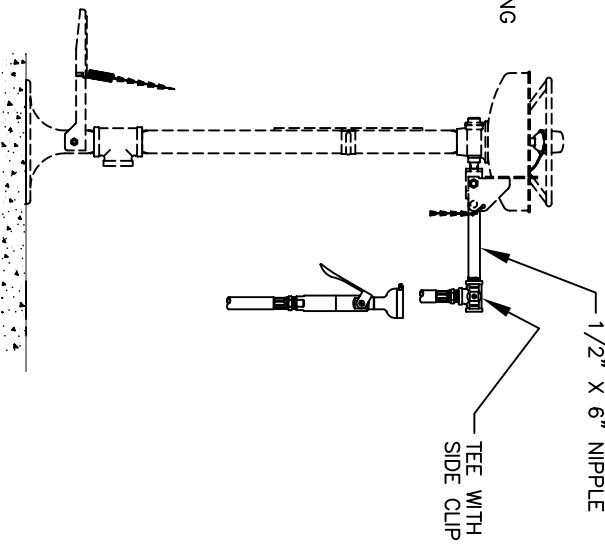


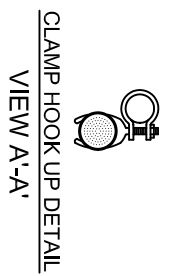
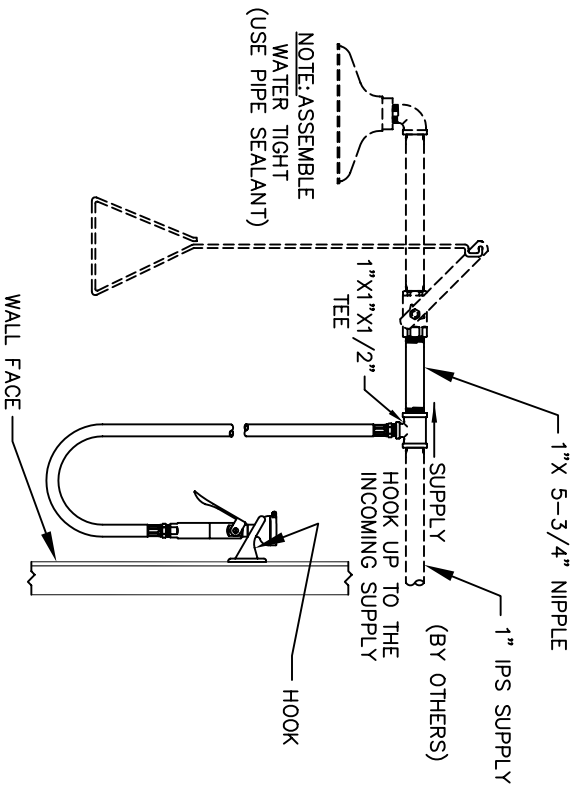
RETROFIT KIT EYE/FACE WASH INSTALLED WITH UNITS PROVIDED WITH A CROSS



RETROFIT KIT EYE/FACE WASH INSTALLED WITH UNITS NOT PROVIDED WITH A CROSS



RETROFIT KIT EYE/FACE WASH INSTALLED WITH PEDESTAL EYEWASH UNIT



NOTES:

1. IN ORDER TO COMPLY WITH STATE CODES, THE USE OF A VACUUM BREAKER IS REQUIRED WITH ALL HAND HELD EYE/FACE WASH AND BODY SPRAY UNITS (HAW'S OFFERS MODEL SP212).



1455 KLEPPE LANE
SPARKS, NEVADA 89431
(775) 359-4712 FAX (775) 359-7424
E-MAIL: HAW'S@HAWSCCO.COM
WEBSITE: WWW.HAWSCCO.COM

EQN NO.:	785897	REV:	1	MODEL(S):	8901RFK BODY SPRAY RETROFIT KIT	DATE:	07/09/91
DATE:	07/09/91	HR:		INFO FAX DOC #:	28901735	APPROVER:	
CH:		DR:		INSTALLATION/FABRICATION:		DATE:	
REV:	0002080192.D	DATE:	09/20/90	SIZE:	A	SHEET:	1 OF 1
REV:	09555A00	DATE:	06/01/90				