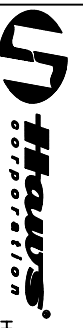
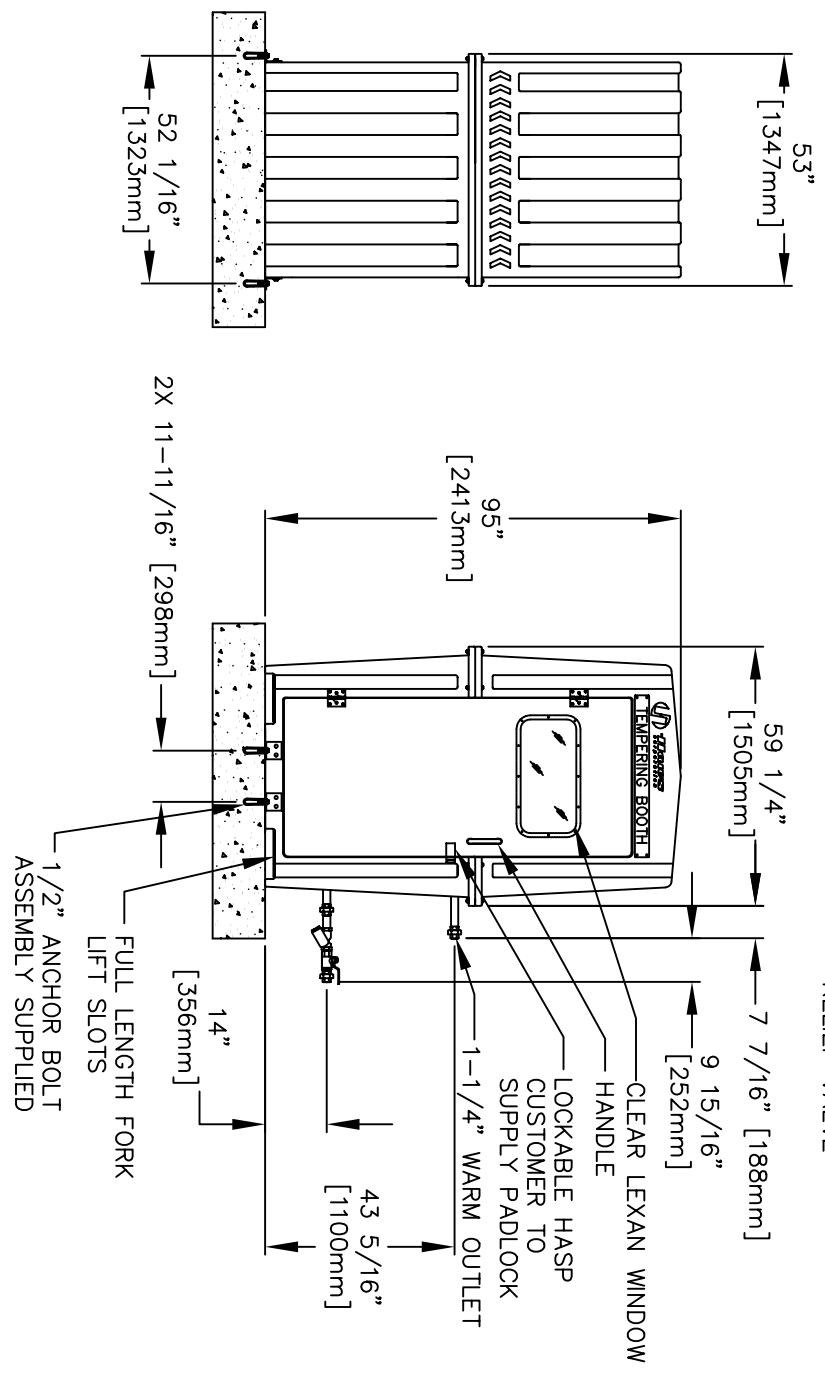
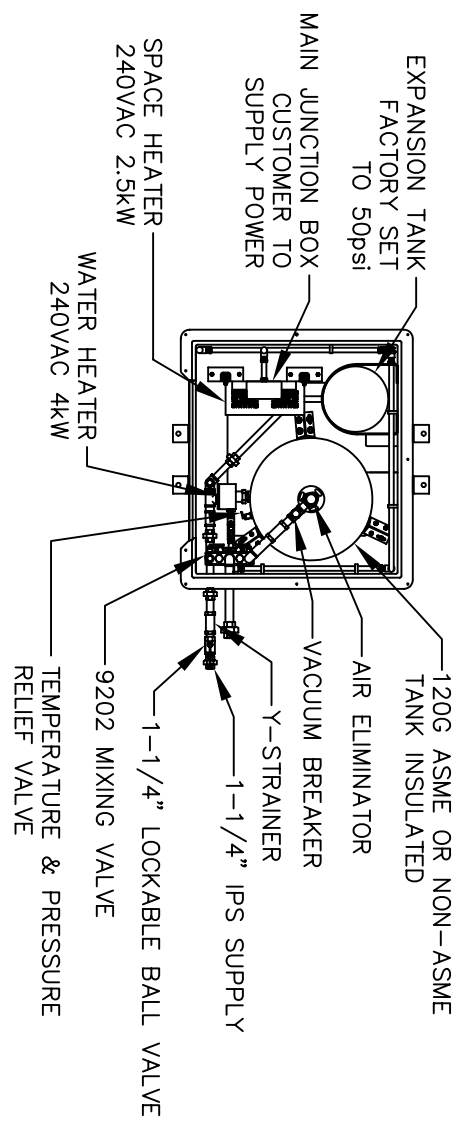


NOTES:

1. TOLERANCE: $\pm 1/4"$ / 6.4mm.



INFO FAX : 1-888-FAX-HAWS (1-888-329-4297)

1455 Kleppe Ln, Sparks, NY, 89431

Phone: 775-359-4712; Fax: 775-359-7424

Haws Ag Bachweg 3 CH-3401 Burgdorf Switzerland

Haws Mitg Pte Ltd 74 Sungai Kodut Loop Singapore 729531

e-mail: Haws@hawsco.com Website: www.hawsco.com

DESIGNED BY	CHK'D	TITLE: TEMPERING BOOTH CL1 DIV 2	PART NUMBER: 0002090215
DATE: 1/24/99	DATE: 1/24/99	MODEL: 8785, 21, 32/22, 32	REV: 14471A00
DRAWN BY	SCALE: 1/32	DRIVING TYPE: INSTALLATION/FABRICATION	SHT. 1 OF 1