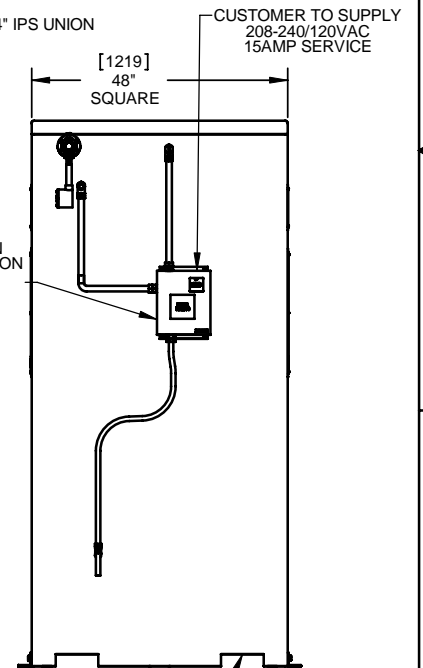
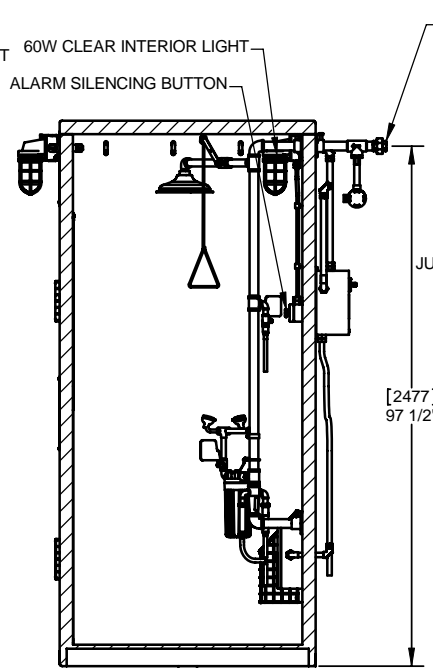
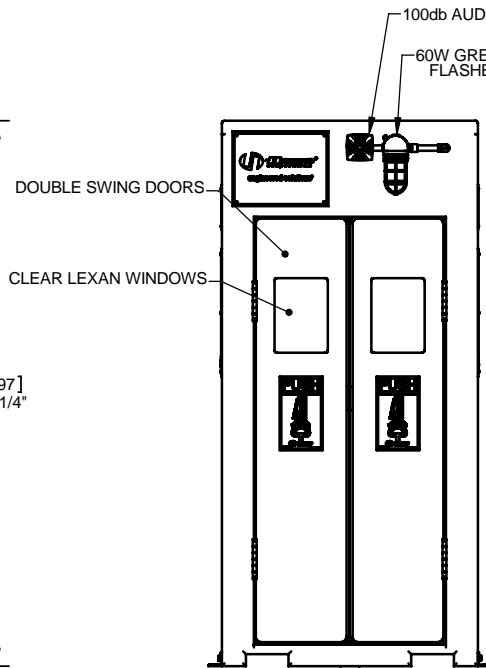
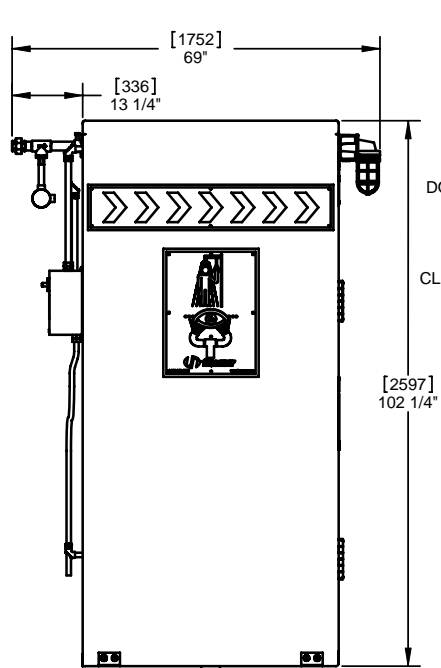
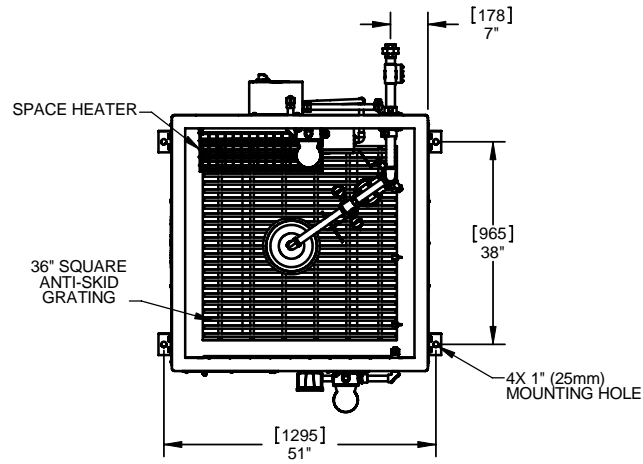


THIS DOCUMENT AND THE DATA DISCLOSED HEREIN OR HEREWITH IS NOT TO BE REPRODUCED, USED, OR DISCLOSED IN WHOLE OR IN PART TO ANYONE WITHOUT THE PERMISSION OF HAWS CORPORATION.



3" IPS DRAIN MATES W/DRAIN BODY (WADE 1100 STD OR EQUIVALENT CENTERED IN BOOTH)

CUSTOMER INFO / TAG #		ECN NO.		8730.31-I	
091-XXXX					
APPROVALS	DATE	 1455 KLEPPE LN CHICKASAW BLDG 200F CHICKASAW, MS 38911 www.hawsco.com 775-339-4712			
DRAWN	6/07				
CHECKED					
APPROVED					
TITLE		POLAR BOOTH WITH SHOWER, EYEWASH, & DRENCH HOSE			
SIZE PART NO.		C 8730.31			
DO NOT SCALE DRAWING		NTS		INSTALLATION	
				SHEET 1 OF 1	