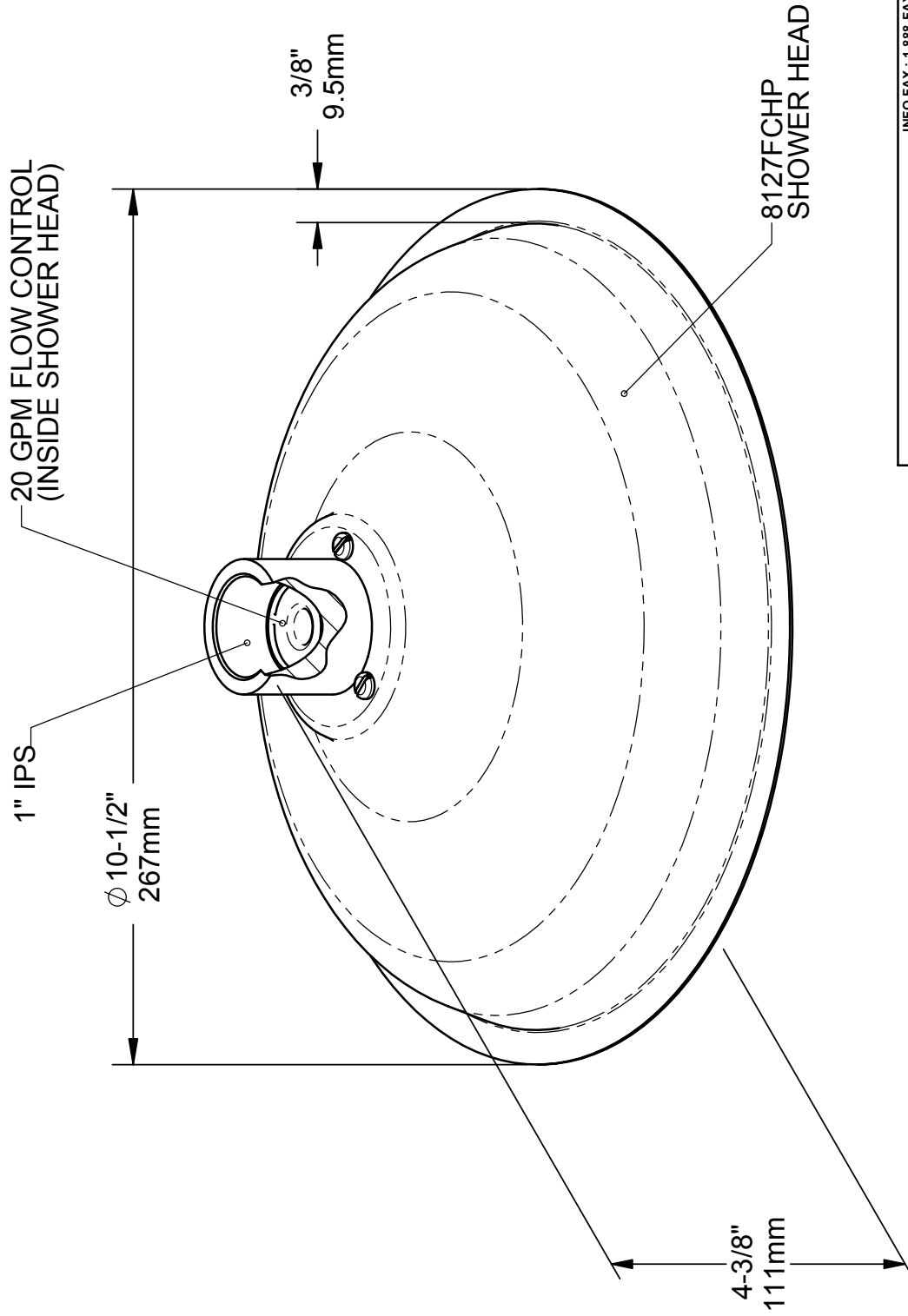


NOTES:

1. PRESS FLOW CONTROL INSERT INTO SHOWER HEAD.  
ORIENT CONED PORTION OF FLOW CONTROL FACING DOWN  
TOWARD THE HEAD.



INFO FAX : 1-888-FAX-HAWS (1-888-329-4297)  
1455 Kleppe Ln, Sparks NV, 89431  
Phone: 775-359-4712 Fax: 775-359-7424  
Haws Ag Bachweg 3 CH-3401 Burgdorf Switzerland  
Haws Mfg Pte Ltd 74 Sungai Kadut Loop Singapore 728531  
e-mail: Haws@hawsco.com website: www.hawsco.com

REVISED PER DRAWN: S329 R. MIKULSKI	BY: RTM	DATE: 10/7/02	REV: C 1
TITLE: DRAWING, INSTALLATION		MODEL: 8127FCHP	REV.:
APPROVED:		INFO FAX DOC #:	REV.:
SCALE: NONE		DRAWING TYPE: INSTALLATION/FABRACK	REV.:
PART NUMBER: 0002080127		SIZE: A	SHEET 1 OF 1