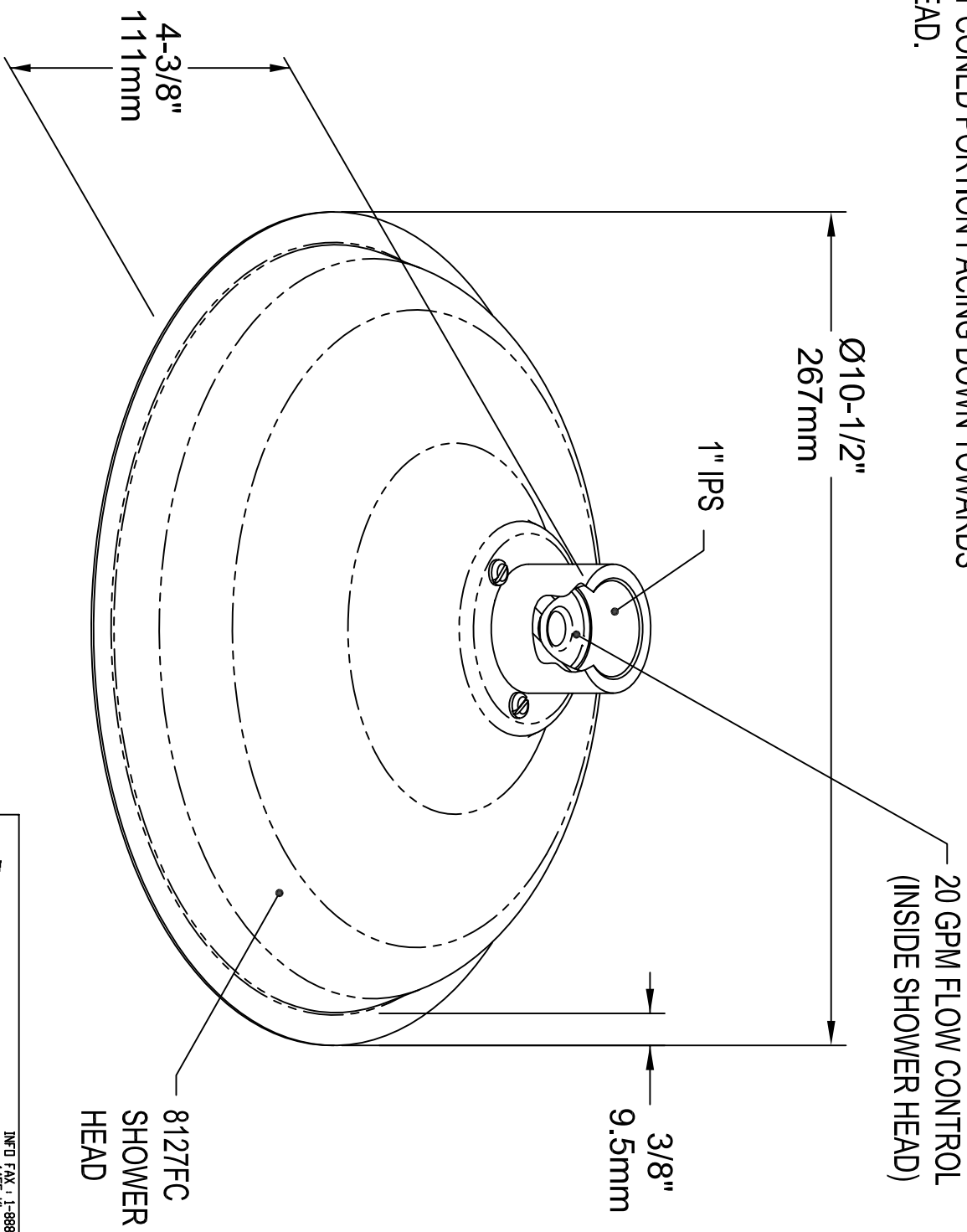


**NOTES:**

1. PRESS FLOW CONTROL INSERT INTO SHOWER HEAD. ORIENT CONED PORTION FACING DOWN TOWARDS THE HEAD.



8127FC  
SHOWER  
HEAD

<b>HAUS</b>		TITLE: DRAWING, INSTALLATION	
REVISED FOR	BY	DATE	DATE
CON 3329	RTM	10/7/02	10/7/02
BY MODEL SKI		REVISED	6/12/03
1455 Kleppe Ln, Sparks NV, 89431 Phone: 775-359-4712 Fax: 775-359-7424 Haus Ag Bachweg 3 CH-3401 Burgdorf Switzerland Haus Mfg Pte Ltd 74 Sungei Kadut Loop Singapore 729531 e-mail: haus@hausco.com website: www.hausco.com		PART NUMBER 0002080122	
DATE	BY	DATE	BY
6/12/03	RTM	10/7/02	RTM
DRAWING TYPE: INSTALLATION/DRAWING		SHEET 1 OF 1	