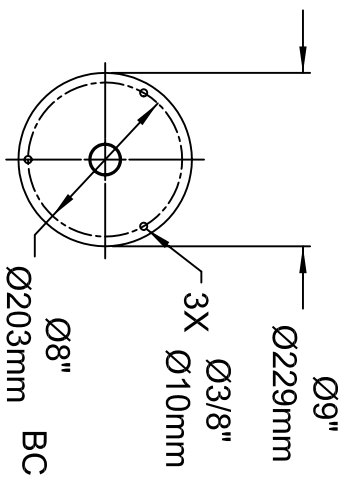
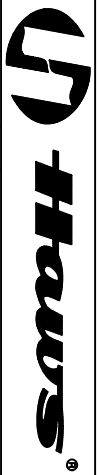
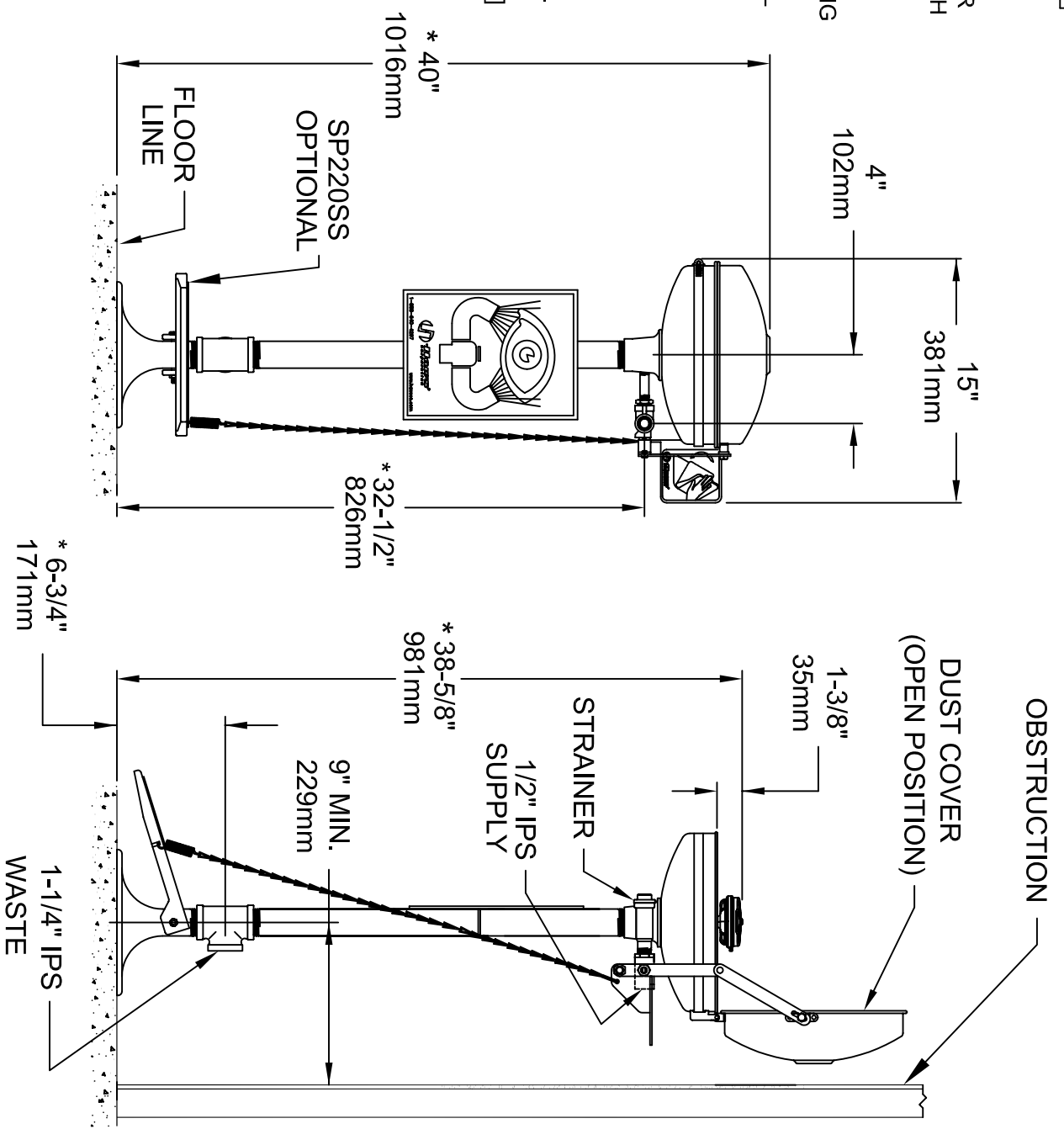


**NOTES:**

1. TO COMPLY WITH ANSI Z358.1-2009 FOR EMERGENCY EYEWASH OR EYE/FACE WASH AND SHOWER EQUIPMENT:
  - UNIT SHALL BE INSTALLED IN ACCORDANCE WITH MANUFACTURER'S INSTRUCTIONS AND ACCEPTABLE PLUMBING PRACTICES.
  - EYEWASH OR EYE/FACE WASH SHALL BE POSITIONED WITH NOZZLES NOT LESS THAN 83.8 CM (33 IN.) AND NO GREATER THAN 114.3 CM (45 IN.) FROM SURFACE ON WHICH USER STANDS AND 15.3 CM (6 IN.) MINIMUM FROM WALL OR NEAREST OBSTRUCTION.
2. \* DIMENSIONS MAY VARY ±1/2" [12.7mm].
3. CENTERLINE WASTE PLACED 9" [229mm] MIN. FROM OBSTRUCTION.



**MOUNTING DETAIL**



1455 KLEPPE LANE  
 SPARKS, NEVADA 89431  
 (775) 359-4712 FAX (775) 359-7424  
 EMAIL: HAWS@HAWS.CO.COM  
 WEBSITE: WWW.HAWS.CO.COM

EON NO. REVISED PER BY:		MODEL(S)	
DRAWN:	EONR: 4531	IR:	7777
DATE:	05/31	CHKD:	
APPROVED:		DATE:	
SCALE: 1/10		DRAWING TYPE: INSTALLATION	
SIZE: A		SHEET: 1 OF 1	
PART NUMBER:		0002080102.D	
DRAWING NO.:		09405A00	
REV:		13	