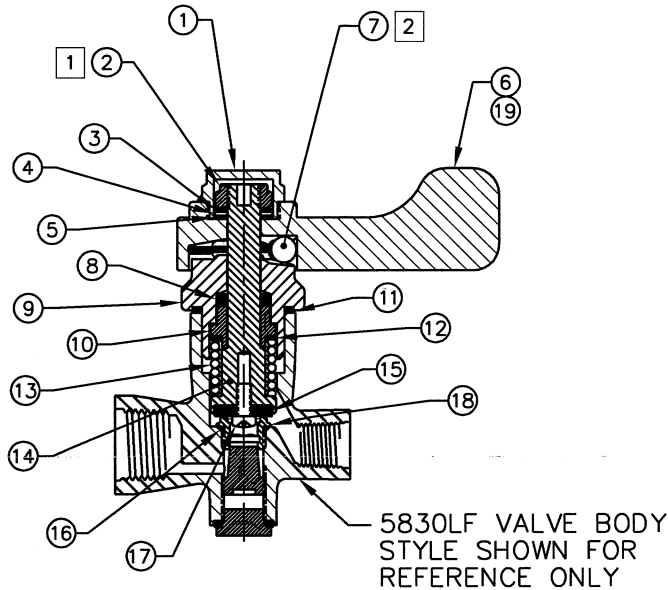


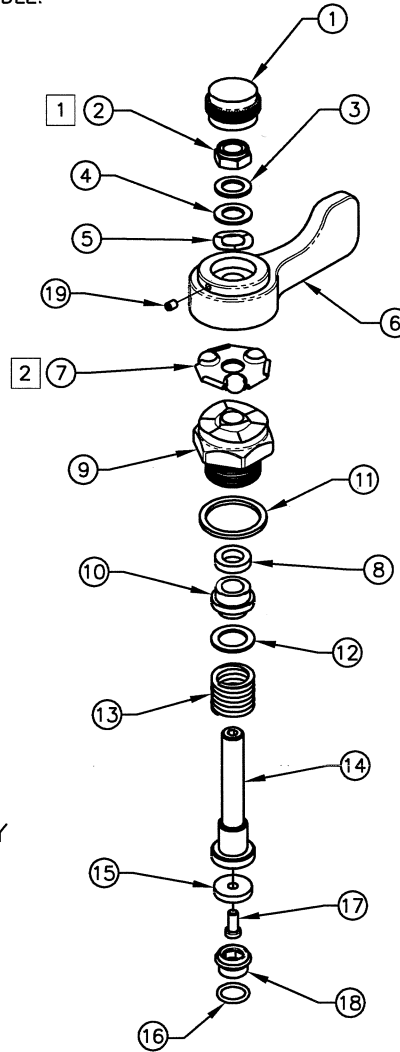
NOTES:

- 1 IF NEEDED WHEN RE-ASSEMBLING VALVE TIGHTEN DOWN ON (EXISTING) 3/8"-24 LOCK NUT UNTIL ACHIEVING A SLIGHT PLAY ON HANDLE.
CAUTION: DO NOT OVER-TIGHTEN NUT. VALVE WILL LEAK.
- 2 LUBRICATE WITH GREASE BEFORE ASSEMBLY.



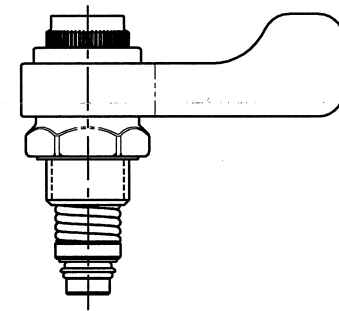
FOR MODELS:

- 5830LF
- 5051LF
- 5054LF
- 5054EG
- 5057LF
- 5060LF
- 6250LF



EXPLODED VIEW

ITEM	PART NO.	PART NUMBER
19	0005063885	SCREW, SET 6-32 UNC
18	0005208682	SEAT F/5830HST
17	0005064870	SCREW, 8-32 X 3/8"
16	0003981050	O-RING, .426 X .070 WALL
15	0006634576	WASHER, .660 X .170 X .125
14	0005532750	STEM, VALVE
13	0005425392	SPRING, .73 X 1.25 X 2.50mm
12	0006634380	WASHER, .75 X .494 X .040
11	0006634184	WASHER, 1.165 X .951 X .073
10	0002583484	GLAND
9	0000356123	BONNET, FAUCET
8	0002582902	GLAND PACKING
7	0000192993	BEARING SET
6	0003221210	HANDLE, LEVER F5054LF
5	0006626653	WASHER, WAVE 5/16"
4	0006633792	WASHER, .650 X .380 X .040
3	0006633596	WASHER, .625 X .390 X .048
2	0003801119	NUT, 3/8-24 UNF NYLON LOCK
1	0001464267	INDEX CAP



ASSEMBLED VIEW

INFO FAX : 1-888-FAX-HAWS (1-888-329-4297)
 1455 Kleppe Ln, Sparks NV, 89431
 Phone: 775-359-4712 Fax: 775-359-7424
 Haws Ag Bachweg 3 CH-3401 Burgdorf Switzerland
 Haws Mfg Pte Ltd 74 Sungei Kadut Loop Singapore 729531
 e-mail: Haws@hawsco.com website: www.hawsco.com

Haws Corporation

ECR NO.:	REVISED PER:	BY:	MODEL(S):	PART NUMBER:
	ECR: 3907	HJM	5830HST HANDLE/STEM ASSY	0002080002
DATE:	DATE:	DATE:	INFO FAX DOC #:	DRAWING NUMBER:
02/23/06	02/23/06	02/23/06	25830478	15246A00
APPROVED:	DATE:	DATE:	SCALE:	DRAWING TYPE:
			1:2	INSTALLATION/FAXBACK

SIZE: A | SHEET: 1 OF 1