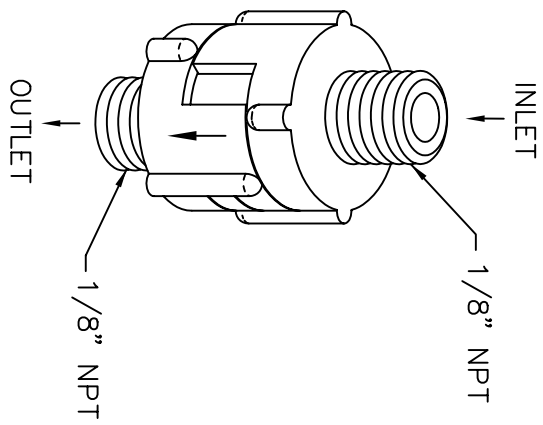



SERVICING INSTRUCTIONS

IF VALVE IS NOT DRAINING PROPERLY, MAKE SURE VALVE IS FREE OF DEBRIS AND OBSTRUCTIONS. REPLACE IF CRACKED OR DAMAGED.



5815 CHECK VALVE

P&G NUMBER:		E&M NUMBER:				1405 ALBYNE LANE SPRING, WISCONSIN		MANUFACTURED IN CHINA	
APPROVALS:	DATE:	TITLE:	SCALE:			DWG. TYPE:	INSTALLATION:	PART NUMBER:	REV.:
DAVE FIGUEROA	11/02/98	5815 CHECK VALVE	N/A		1	5815	0		
CHECKER:						5815			
APPROVER:									