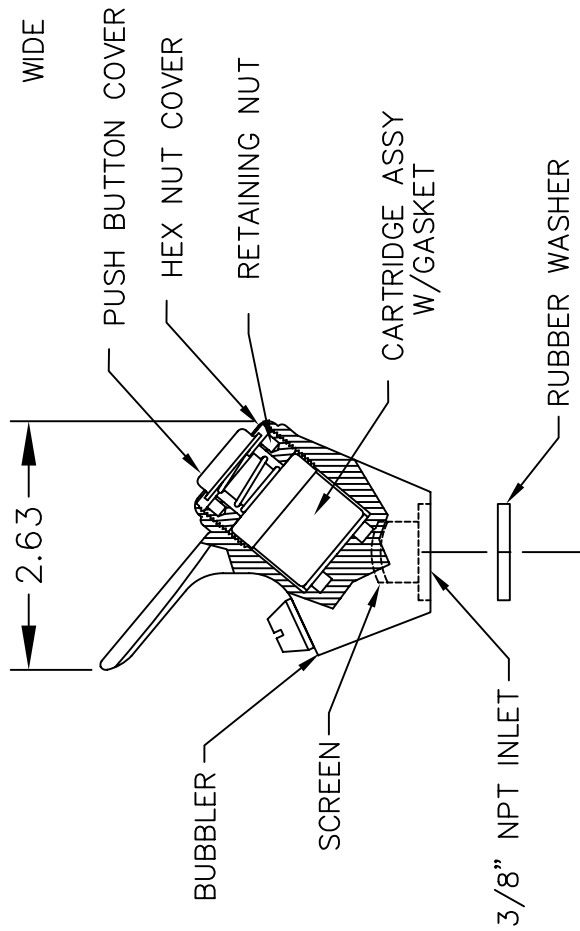
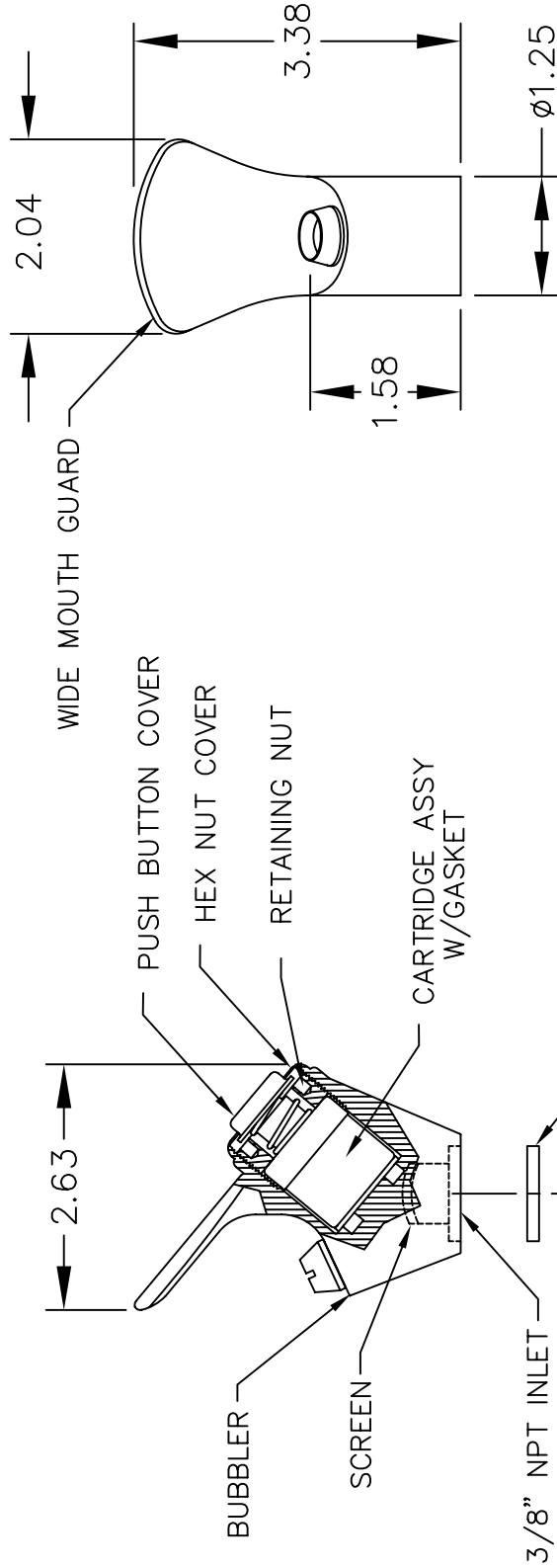
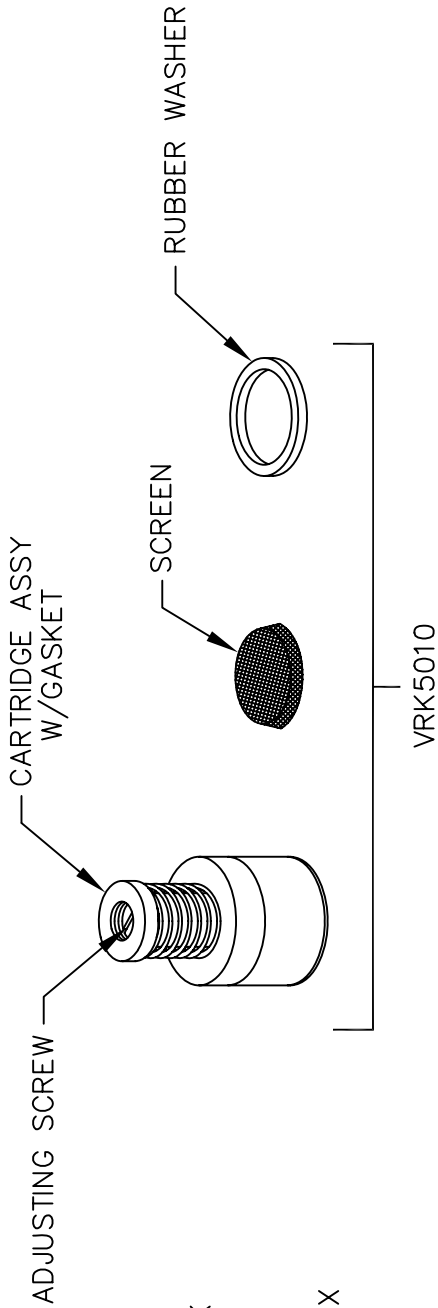


NOTES:

TO ADJUST FLOW:

1. REMOVE HEX NUT COVER AND PUSH BUTTON COVER.
2. ADJUST WITH SCREWDRIVER: CLOCKWISE TO INCREASE FLOW & COUNTER-CLOCKWISE TO DECREASE FLOW.
3. IF DESIRED FLOW IS NOT OBTAINED, CLEAN SCREEN AT INLET.
4. REPLACE PUSH BUTTON COVER AND HEX NUT COVER.



INFO FAX : 1-888-FAX-HAWS (1-888-329-4297)
 1455 Kleppe Ln, Sparks NV, 89431
 Phone: 775-359-4712 Fax: 775-359-7424
 Haws Ag, Bachweg 3, CH-3401 Burgdorf Switzerland
 Haws Mfg Pte Ltd 74 Sungai Kadut Loop Singapore 729531
 e-mail: Haws@hawsco.com website: www.hawsco.com

EQP NO:	REVISED PER:	DATE:	APPROVED:	MODEL(S):
	ECNS, 3889	12/03/92		5010
DRAWN:	DATE:	INFO FAX DOC #:	SCALE:	DRAWING TYPE:
		25010	1:2	
CHECKED:	DATE:	INFO FAX DOC #:	SCALE:	DRAWING TYPE:
		15225A00	1:2	
DATE:	DATE:	INFO FAX DOC #:	SCALE:	DRAWING TYPE:
		15225A00	1:2	
DATE:	DATE:	INFO FAX DOC #:	SCALE:	DRAWING TYPE:
		15225A00	1:2	
DATE:	DATE:	INFO FAX DOC #:	SCALE:	DRAWING TYPE:
		15225A00	1:2	