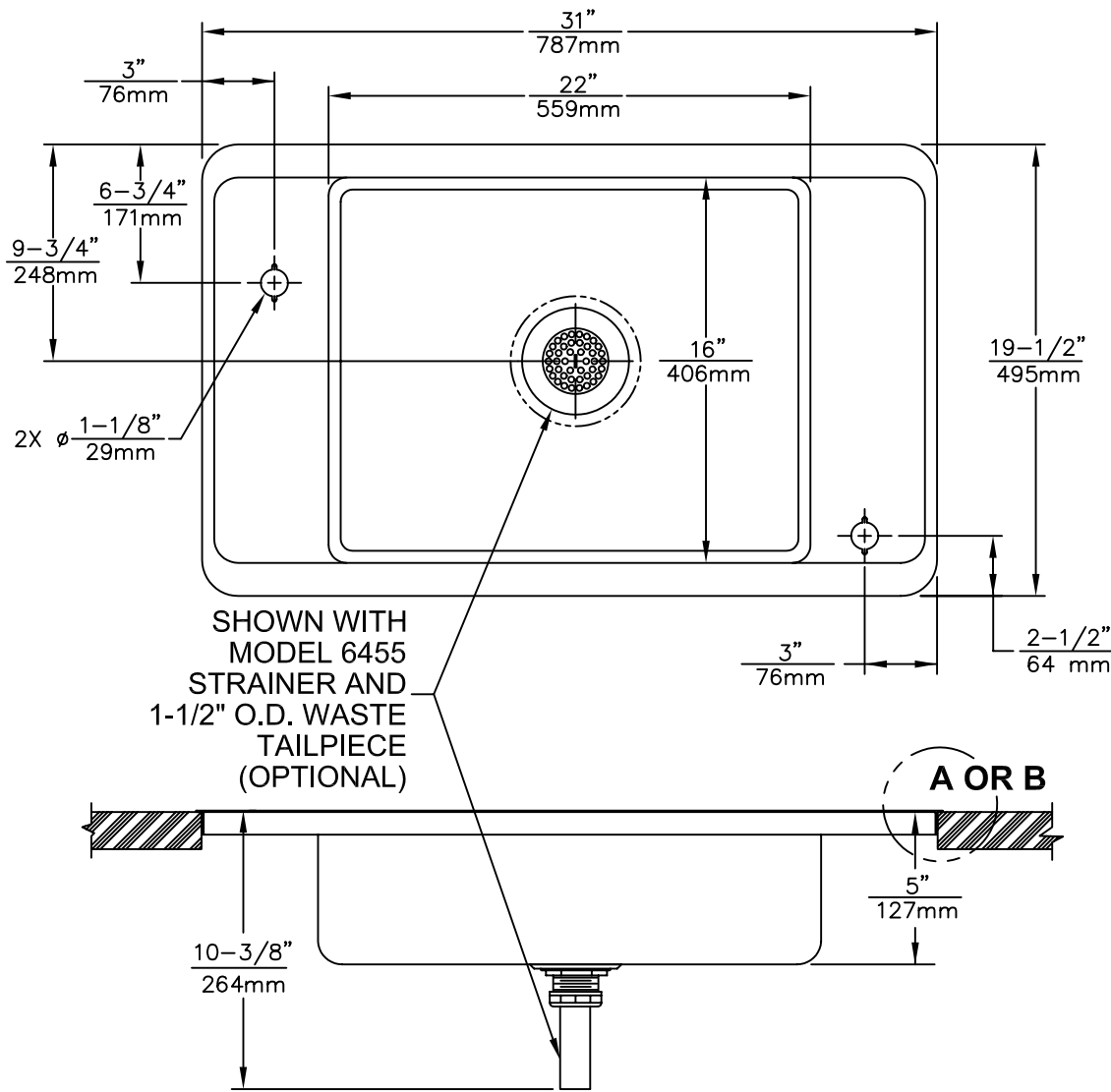
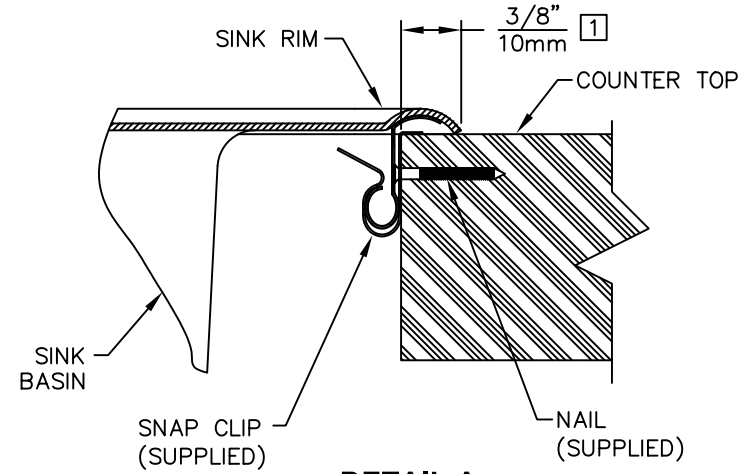


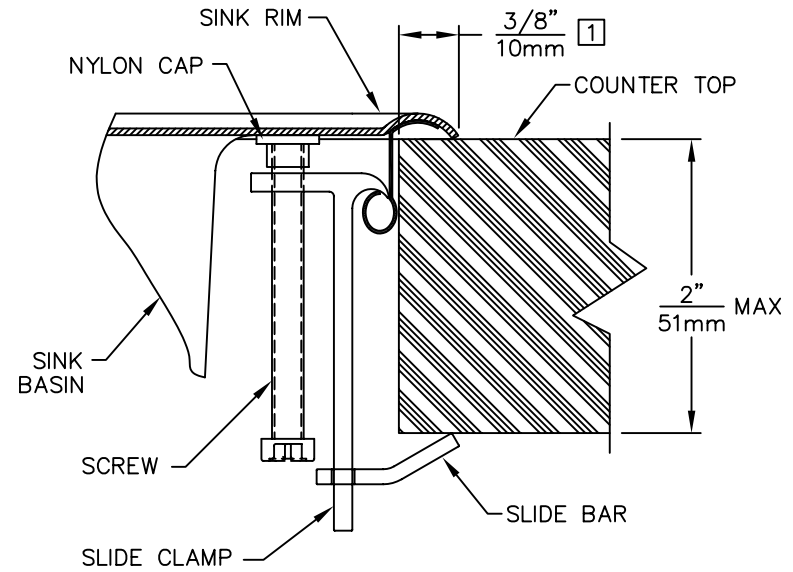
THIS DOCUMENT IS TRUE AND CORRECT AT TIME OF PUBLICATION. CONTINUED PRODUCT IMPROVEMENTS MAKE SPECIFICATIONS AND MEASUREMENTS SUBJECT TO CHANGE WITHOUT NOTICE.



SHOWN WITH
MODEL 6455
STRAINER AND
1-1/2" O.D. WASTE
TAILPIECE
(OPTIONAL)




DETAIL A
SNAP CLIP MOUNTING SYSTEM (STANDARD)



DETAIL B
ADJUSTABLE SINK CLAMP MOUNTING SYSTEM
(OPTIONAL) P/N 0001690117

NOTE:
1 MAKE SURE CUTOUT IS 3/8" LESS THAN SINK RIM AROUND ALL EDGES.
CAUTION: DO NOT CUT HOLE IN COUNTERTOP UNTIL SINK IS AT HAND.

			1455 KLEPPE LANE SPARKS, NEVADA 89431 (775) 359-4712 FAX (755) 359-7424 E-MAIL: HAWS@HAWS.CO.COM WEBSITE: WWW.HAWS.CO.COM	
			ECN NO. REVISED PER BY: MODEL(S) ECN: 4603 HM	PART NUMBER 0002077511.D
DRAWN: C.J.L. DATE: 04/93 CHKD.:	4230	DRAWING NO. REV 02041C00 16		
APPROVED: DATE:	SCALE: 1:8 DRAWING TYPE: INSTALLATION	SIZE: A SHEET 1 OF 1		