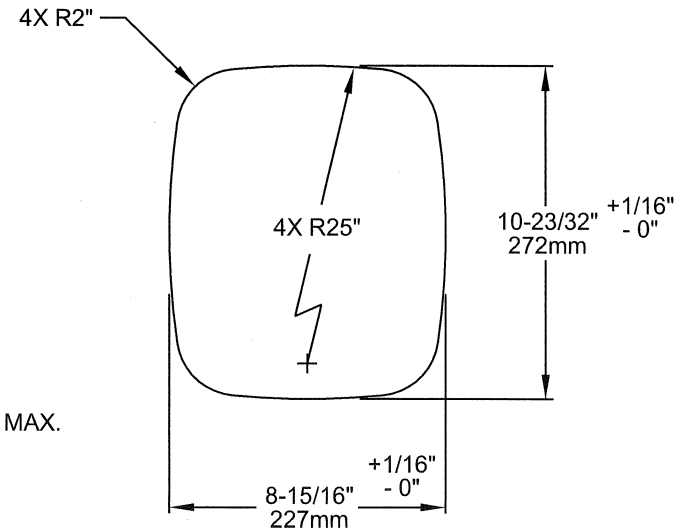
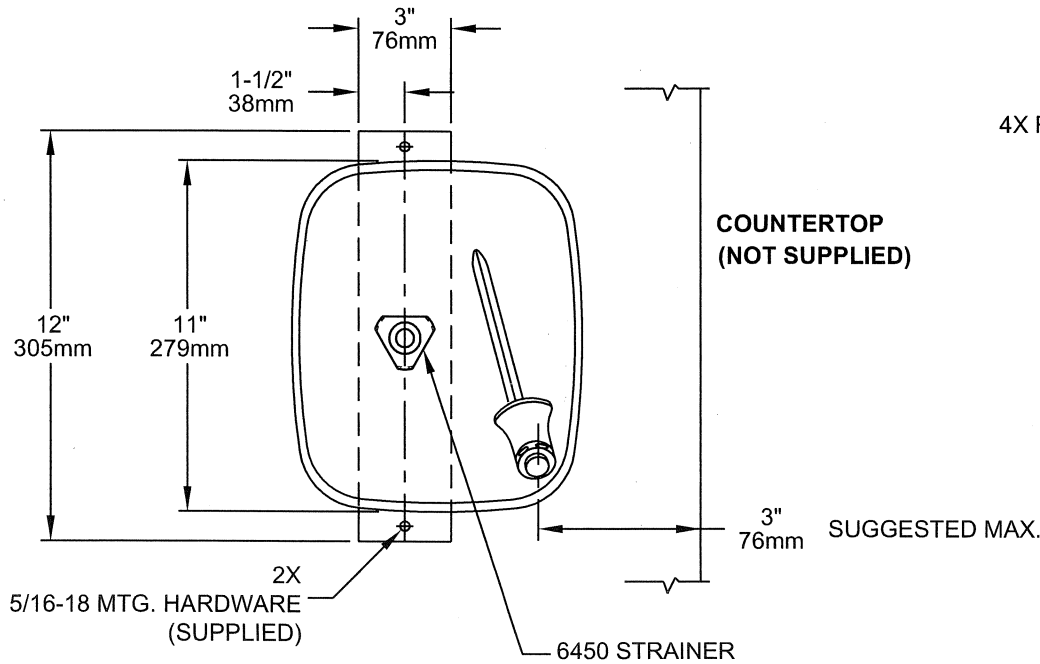


**NOTES:**

1. THESE DIMENSIONS MAY VARY  $\pm 1/4"$  (6.4mm)
2. FOR ALL PLASTIC PUSH-IN TYPE FITTING CONNECTIONS; PUSH TUBING INTO FITTING UNTIL IT BOTTOMS OUT TO ENSURE A WATERTIGHT CONNECTION. TO REMOVE, DEPRESS THE COLLET AND PULL TUBING OUT. ONLY CONNECT NSF-61 COPPER OR PLASTIC TUBING TO THESE PUSH-IN TYPE FITTINGS.
3. WHEN INSTALLING THIS UNIT, LOCAL, STATE, OR FEDERAL CODES SHOULD BE ADHERED TO FOR INSTALLATION DIMENSION (LOCATIONS), WASTE AND SUPPLY REQUIREMENTS OTHER THAN SHOWN.



|                                  |                            |   |                                 |
|----------------------------------|----------------------------|---|---------------------------------|
|                                  |                            | 1455 KLEPPE LANE<br>SPARKS, NEVADA 89431<br>(775) 359-4712 FAX (775) 359-7424<br>E-MAIL: HAWS@HAWSCO.COM<br>WEBSITE: WWW.HAWSCO.COM |                                 |
|                                  |                            | ECN NO. REVISED PER BY: ECN: 4673 HM  | MODEL(S)<br>4010                |
| DRAWN: J FIGUEROA<br>DATE: 06/94 | CHKD: [Signature]<br>DATE: | DRINKING FOUNTAIN   | DRAWING NO.: 00159C00<br>REV: 8 |
| APPROVED: [Signature]            |                            | SCALE: 1/8<br>DRAWING TYPE: INSTALLATION  | SIZE: A SHEET 1 OF 1            |