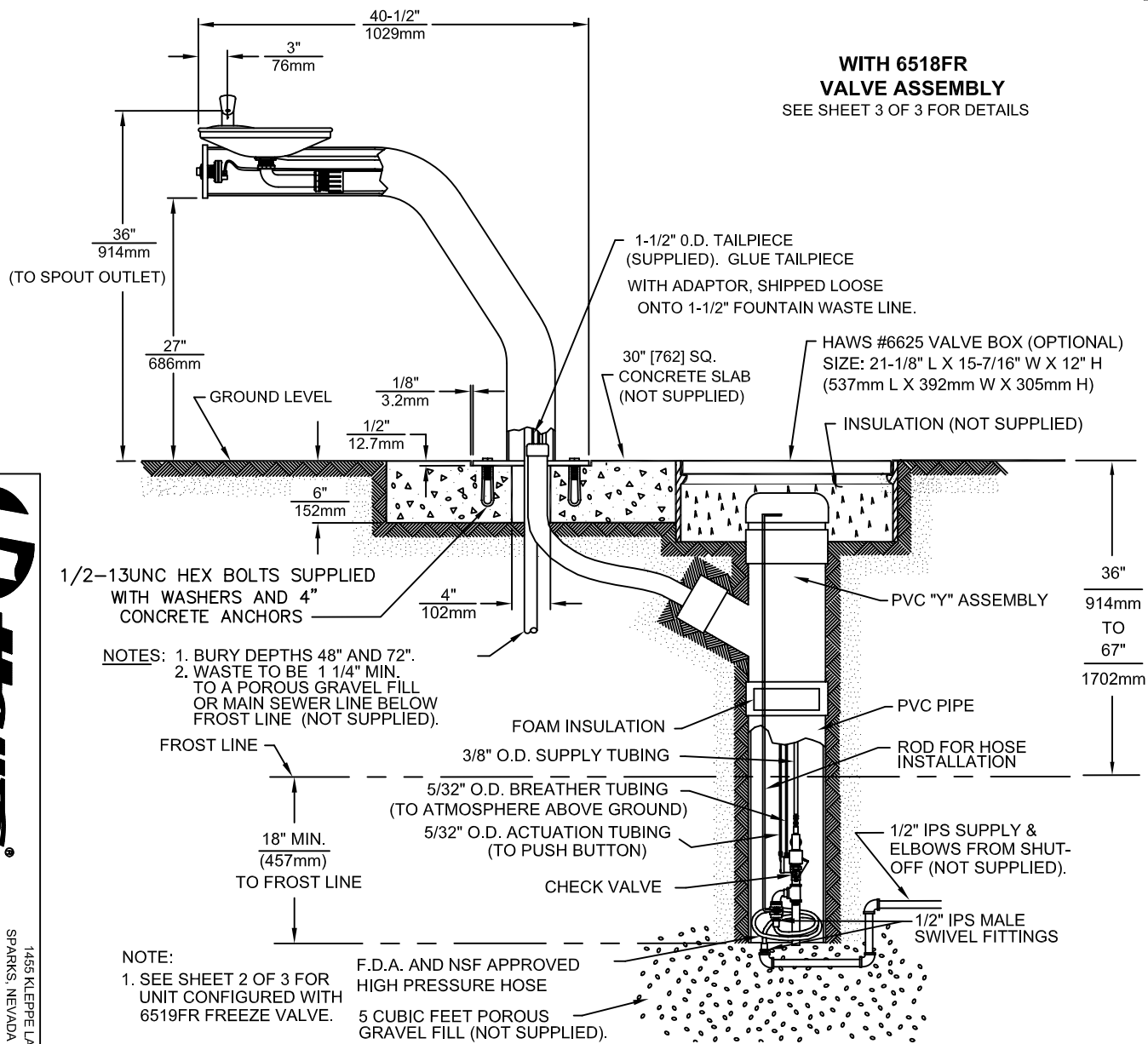
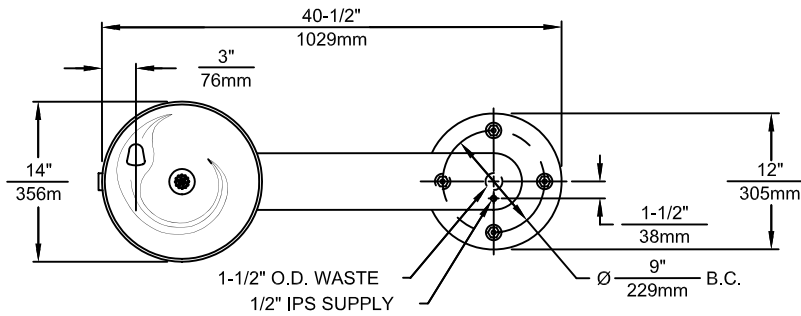


### 3380FR/3380GFR WITH 6518FR

(SEE SHEET 2 OF 3 FOR 6519FR INSTALLATION)



- NOTES:**
1. BURY DEPTHS 48" AND 72".
  2. WASTE TO BE 1 1/4" MIN. TO A POROUS GRAVEL FILL OR MAIN SEWER LINE BELOW FROST LINE (NOT SUPPLIED).

- NOTE:**
1. SEE SHEET 2 OF 3 FOR UNIT CONFIGURED WITH 6519FR FREEZE VALVE.
- F.D.A. AND NSF APPROVED HIGH PRESSURE HOSE
- 5 CUBIC FEET POROUS GRAVEL FILL (NOT SUPPLIED).

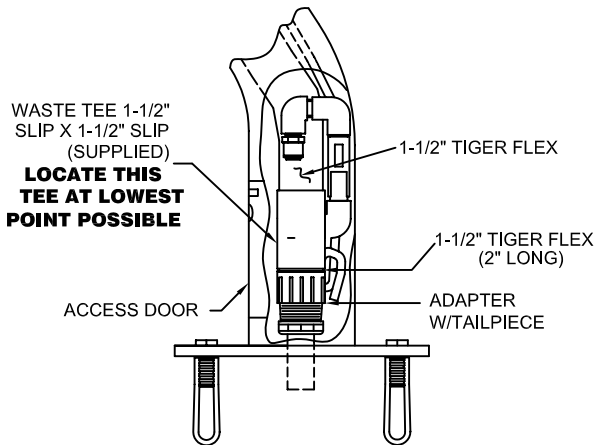
CONTRACT NO. 10289A00  
 ORDER NO. 7370D  
 DATE 10/28/00  
 SHEET 1 OF 3

CONTRACT NO. 3380FR/3380GFR/3380 6519FR  
 ORDER NO. 10289A00  
 DATE 08/17/02  
 SHEET 1 OF 3

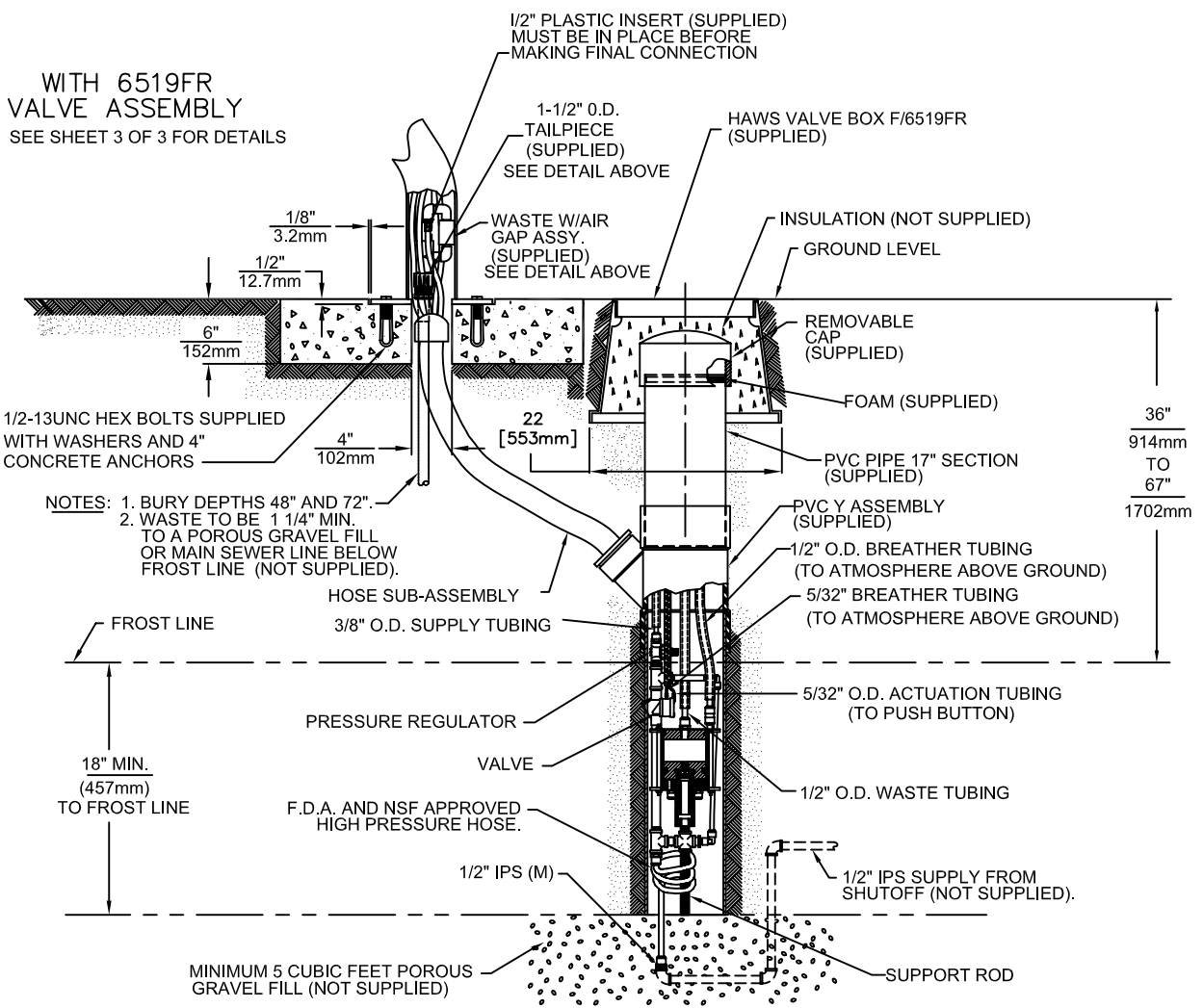
CONTRACT NO. 3380FR/3380GFR/3380 6519FR  
 ORDER NO. 10289A00  
 DATE 08/17/02  
 SHEET 1 OF 3

1455 KLEPPE LANE  
 SPARKS, NEVADA 89431  
 (775) 359-4712 FAX (775) 359-7424  
 E-MAIL: HAWS@HAWSCCO.COM  
 WEBSITE: WWW.HAWSCCO.COM

**3380FR/3380GFR WITH 6519FR**  
(SEE SHEET 1 OF 3 FOR FOUNTAIN & 6518FR INSTALLATION)



**WASTE W/AIR GAP ASSY. DETAIL**



WITH 6519FR VALVE ASSEMBLY  
SEE SHEET 3 OF 3 FOR DETAILS

- NOTES:**
1. BURY DEPTHS 48" AND 72".
  2. WASTE TO BE 1 1/4" MIN. TO A POROUS GRAVEL FILL OR MAIN SEWER LINE BELOW FROST LINE (NOT SUPPLIED).

	MODEL(S): 3380FR/3380GFR/3380 6519FR
	1455 KLEPPE LANE SPARKS, NEVADA 89431 (775) 359-4712 FAX (775) 359-7424 E-MAIL: HAWS@HAWSCCO.COM WEBSITE: WWW.HAWSCCO.COM
ORDER NO. 10289A00 DATE: 10/28/00 SHEET 2 OF 3	PART NO. 10289A00 DATE: 10/28/00 SHEET 2 OF 3

