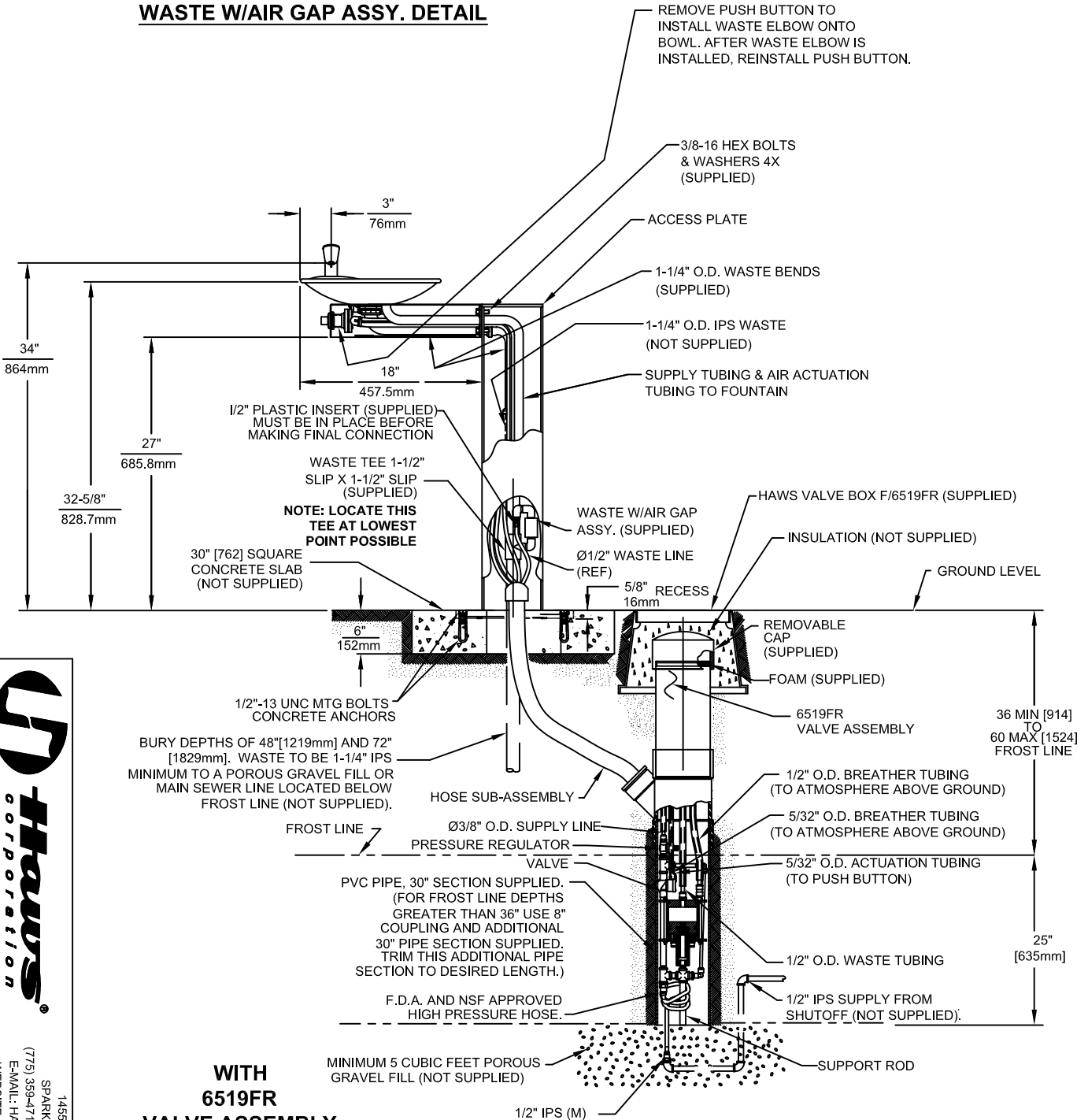
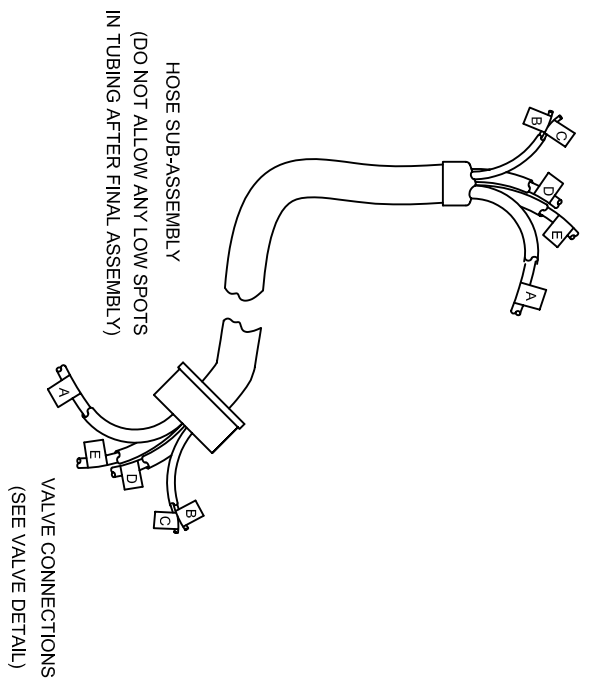


WASTE W/AIR GAP ASSY. DETAIL

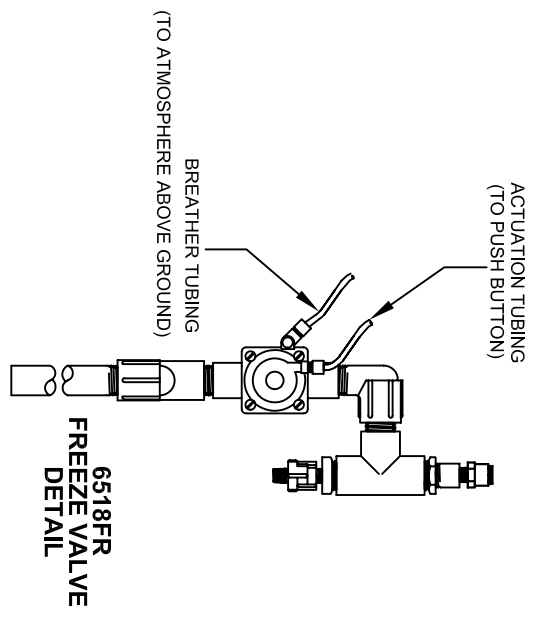


WITH 6519FR VALVE ASSEMBLY
SEE SHEET 3 OF 3 FOR DETAILS

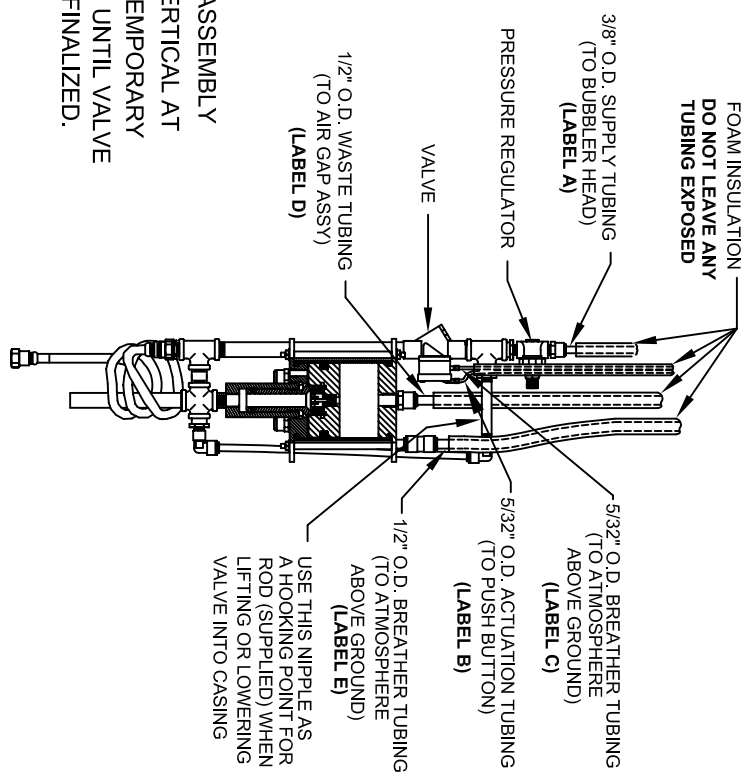
	<p>1455 KLEPPE LANE SPARKS, NEVADA 89431 (775) 359-4712 FAX (775) 359-7424 E-MAIL: HAWS@HAWSCC.COM WEBSITE: WWW.HAWSCC.COM</p>
<p>CONTRACT NO. 13083A00 REV. 6</p>	<p>DATE: 02/22/06 DRAWN: [Name] CHECKED: [Name] APPROVED: [Name]</p>
<p>MODEL(S): 3377FR/3377 6519FR INFO FAX DOC # 233737/23377651</p>	<p>DATE: 11/13/05 DRAWING TYPE: INSTALLATION/PARTS DRAWING</p>



FOUNTAIN CONNECTIONS
(FOLLOW INSTRUCTIONS ON LABELS)



**CAUTION: VALVE ASSEMBLY
MUST BE KEPT VERTICAL AT
ALL TIMES. USE TEMPORARY
STAND PROVIDED UNTIL VALVE
INSTALLATION IS FINALIZED.**



Haws Corporation

1455 KLEPPE LANE
SPARKS, NEVADA 89431
(775) 359-4712 FAX (775) 359-7424
E-MAIL: HAWS@HAWS.CO.COM
WEBSITE: WWW.HAWS.CO.COM

ENGINEER	DESIGNED BY	DATE	REV	MODEL(S)
CHKD	ECN: 4177	02/22/06	BW	3377FR/3377 6519FR
DATE	DATE	DATE	DATE	DATE
APPROVER	INFO FAX DOC #	233737 / 237651	INSTALLATION/FABRICATION	
SIZE: A	SHEET: 3	OF: 3	REV: 6	DATE: 02/20/07
				13083A00