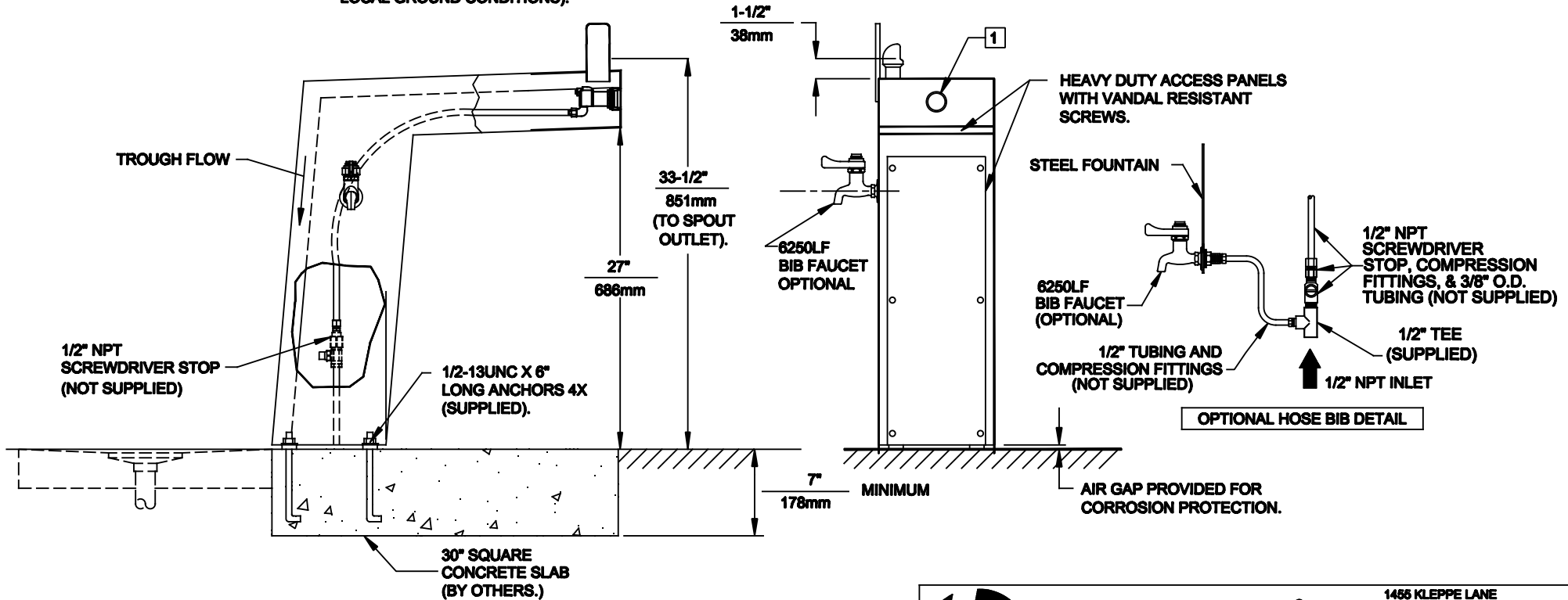


**MOUNTING DETAIL**

**IMPORTANT: ATTENTION INSTALLER**

USE CARE TO AVOID KINKS WHEN ROUTING SUPPLY LINE TO VALVE AND FROM VALVE TO BUBBLER



**NOTES:**

1. REFER TO 5874/VRK5874 OPERATION AND MAINTENANCE MANUAL FOR PUSH BUTTON AND VALVE INSTALLATION/MAINTENANCE INSTRUCTIONS.

		1456 KLEPPE LANE SPARKS, NEVADA 89431 (775) 359-4712 FAX (775) 359-7424 E-MAIL: HAWS@HAWS.CO.COM WEBSITE: WWW.HAWS.CO.COM	
		ECN NO. REVISED PER BY: ECH-4648 HM DRAWN: C. HAYES DATE: 11/91 CHKD.: APPROVED: DATE:	MODEL(S) 3202/3202G
SCALE: 1:14		DRAWING TYPE: INSTALLATION	
SIZE: A		SHEET 1 OF 1	