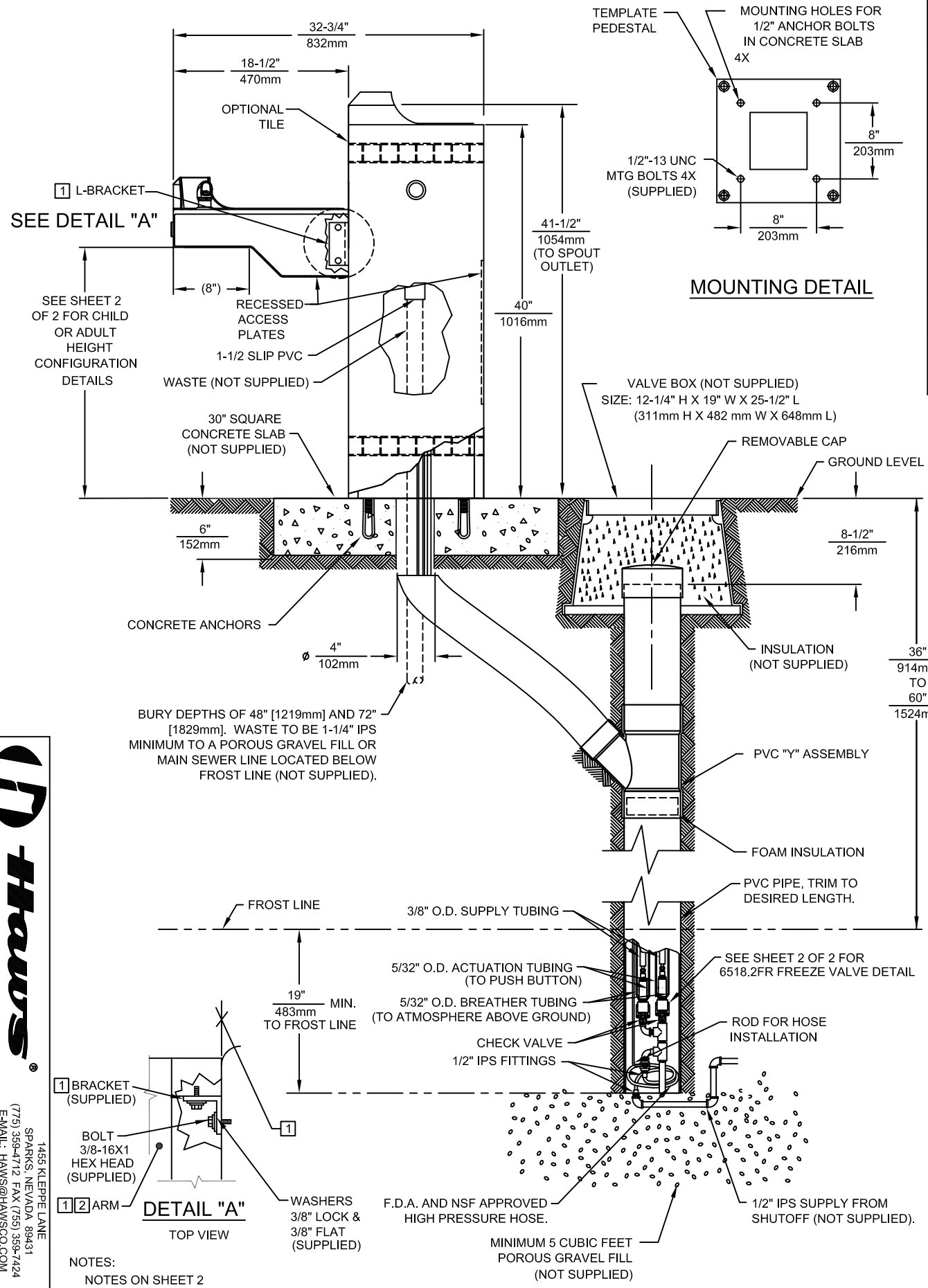


THIS DOCUMENT IS TRUE AND CORRECT AT TIME OF PUBLICATION. CONTINUED PRODUCT IMPROVEMENTS MAKE SPECIFICATIONS AND MEASUREMENTS SUBJECT TO CHANGE WITHOUT NOTICE.

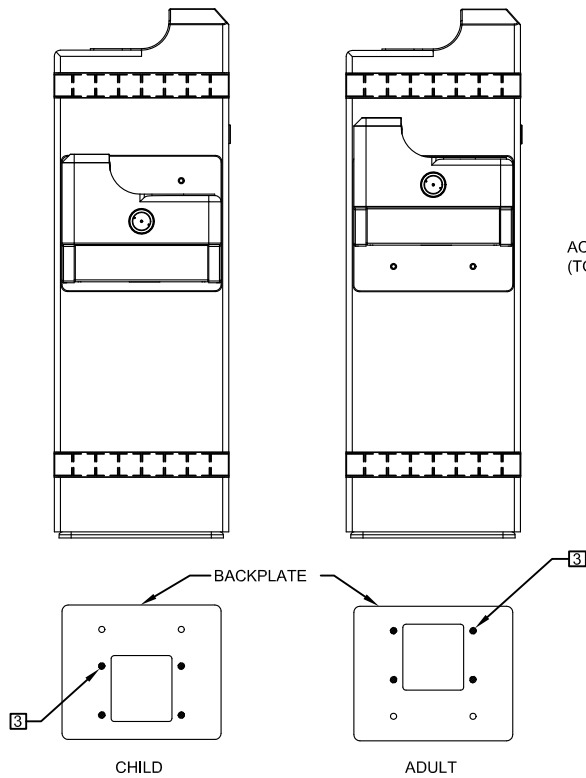


**Haws**

1485 KLEPPE LANE  
SPARKS, NEVADA 89431  
(775) 359-4712 FAX (752) 359-7424  
E-MAIL: HAWS@HAWS.CO.COM  
WEBSITE: WWW.HAWS.CO.COM

ECN NO. REVISED PER BY:	MODEL(S)
DRAWN: ECN-4725	
DATE: 09/29/92	
CHK'D:	
APPROVED:	
SCALE: 1:1	DRAWING TYPE: INSTALLATION
SIZE: A	SHEET 1 OF 2
PART NUMBER	3150FR
DRAWING NO.	0002077073.D
REV	10384C00 16

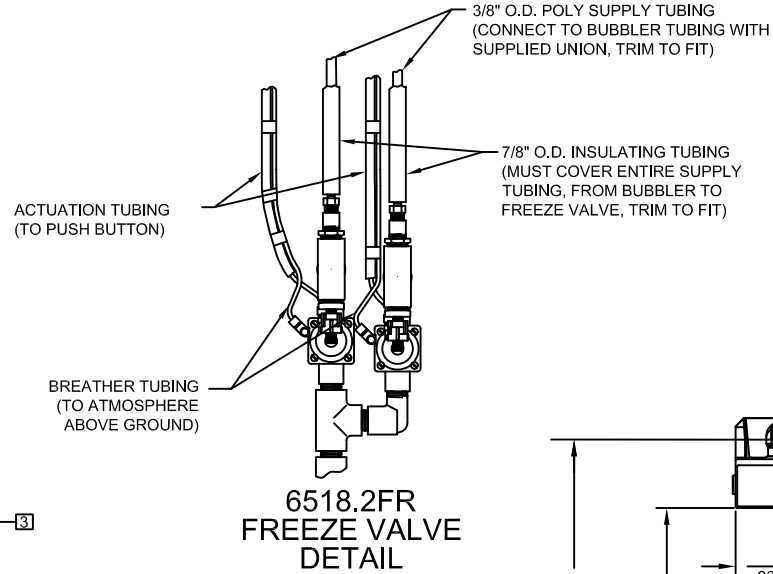
©2012 Haws Corporation - All Rights Reserved. HAWS® and other trademarks used in these materials are the exclusive property of Haws Corporation.



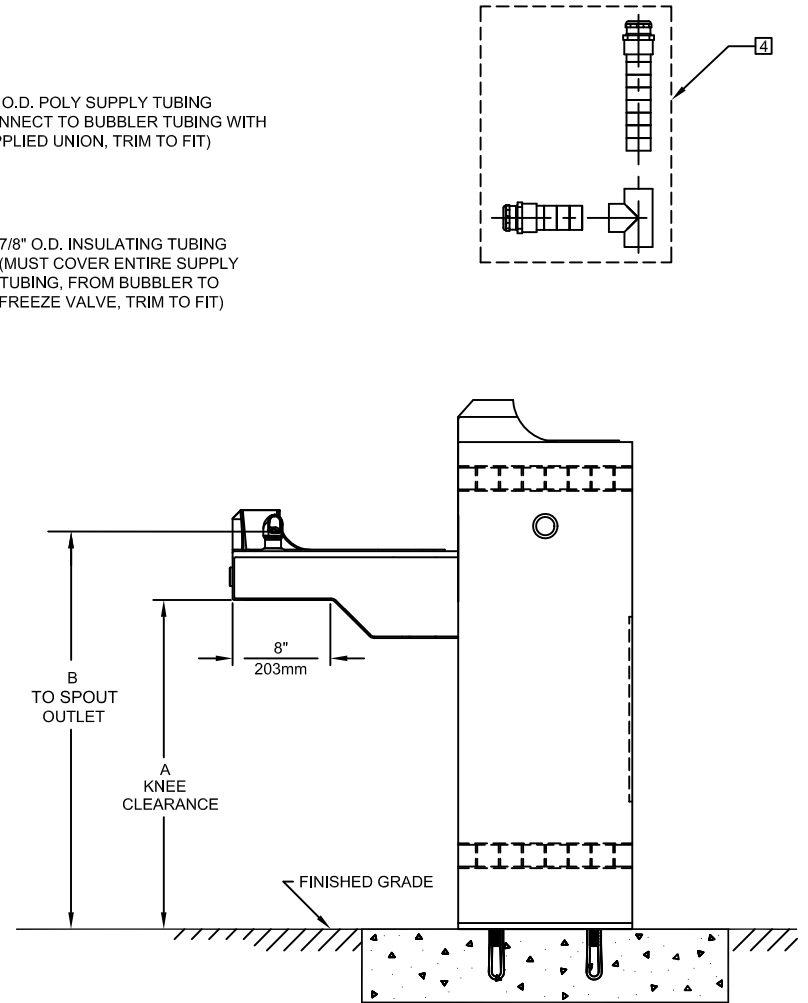
**FIGURE 1**

NOTES:

- 1** PROCEDURE FOR ASSEMBLING ARM TO PEDESTAL:  
**IMPORTANT:** L-BRACKETS ARE PRE-ASSEMBLED AND **MUST NOT** BE LOOSENED FOR ANY REASON.  
**STEP 1:** ATTACH ENTIRE ARM ASSEMBLY TO MOUNTING PLATE ON PEDESTAL USING 3/8"-16 X 1" BOLTS AND WASHERS (SUPPLIED) AND TIGHTEN SECURELY IN PLACE.  
**STEP 2:** (OPTIONAL) APPLY CAULKING AS NEEDED TO FILL ANY GAP PRESENT BETWEEN ARM AND PEDESTAL.
- 2** SIDE ARM IS ADJUSTABLE TO ACCOMODATE EITHER CHILD OR ADULT HEIGHTS (SEE "AVAILABLE ARM HEIGHTS" CHART).
- 3** BASED ON DESIRED HEIGHT (CHILD OR ADULT) OF ARM, ORIENT BACKPLATE AS SHOWN IN FIGURE 1 AND USE APPROPRIATE SHADED HOLES.
- 4** WASTE ASSEMBLY IS SUPPLIED DISASSEMBLED. THE SHORTER OF THE TWO PIECES IS FOR THE ARM DRAIN, AND MUST BE INSTALLED SO THAT ANY BEND IN THE FLEX TUBING WILL ALLOW WATER TO DRAIN COMPLETELY. THE LONGER IS FOR THE PEDESTAL DRAIN AND IS SUPPLIED AT THE LENGTH REQUIRED TO ASSEMBLE THE UNIT WITH THE ARM AT CHILD HEIGHT. IN ORDER TO ASSEMBLE AT ADULT HEIGHT, 3" MUST BE CUT FROM THE END OF THE FLEX TUBING PRIOR TO ASSEMBLY. TEE IS TO BE GLUED TO THE FLEX TUBING WASTE ARMS USING PVC PIPE CEMENT.
- 5** INSULATION FOAM TUBING MUST NOT BE REMOVED.



**5** INSULATION FOAM TUBING NOT SHOWN FOR CLARITY.



**CHILD OR ADULT HEIGHT CONFIGURATION DETAILS**

AVAILABLE ARM HEIGHTS		
DIM	ADULT ADA	CHILD ADA
A	27" / 686mm	24" / 610mm
B	32-3/4" / 832mm	29-3/4" / 756mm

1455 KLEPPE LANE  
 SPARKS, NEVADA 89431  
 (775) 359-4712 FAX (755) 359-7424  
 E-MAIL: HAWS@HAWS.CO.COM  
 WEBSITE: WWW.HAWS.CO.COM

ECN NO:	REVISED PER BY:	MODEL(S)	PART NUMBER
	ECN: 4725 HM	3150FR	0002077073.D
DRAWN: CJL	DATE: 09/29/92	CHKD:	DRAWING NO. 10384C00
APPROVED:	DATE:	SCALE: 1:13	REV 16
		DRAWING TYPE: INSTALLATION	SIZE: A SHEET 2 OF 2