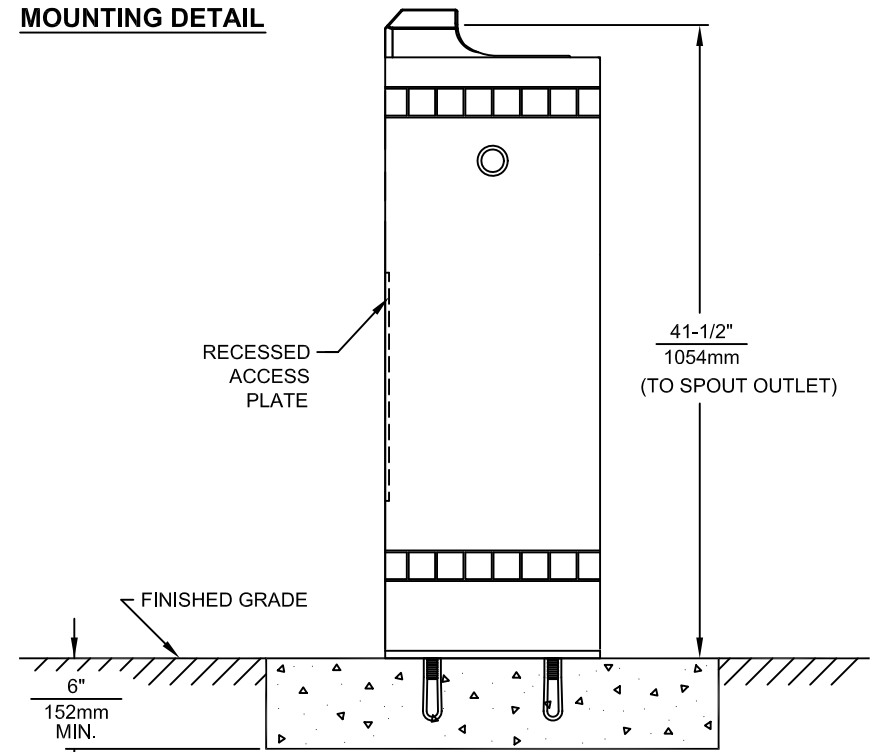
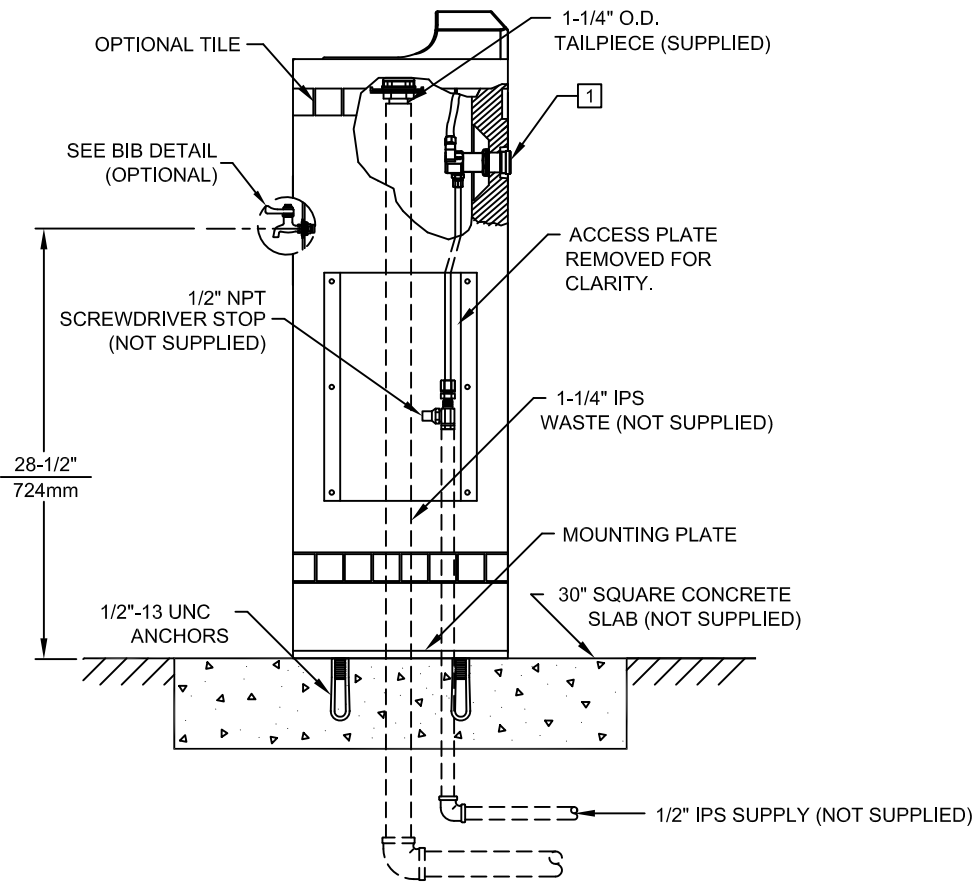
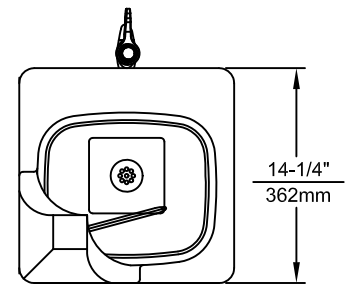
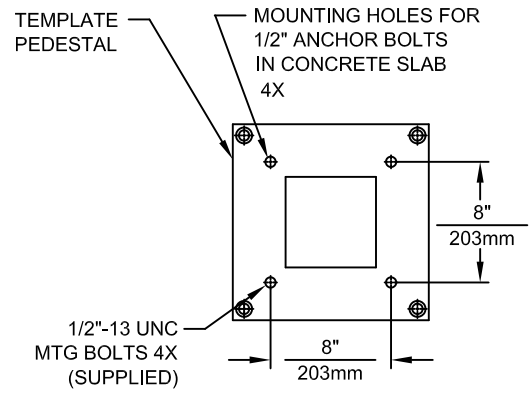
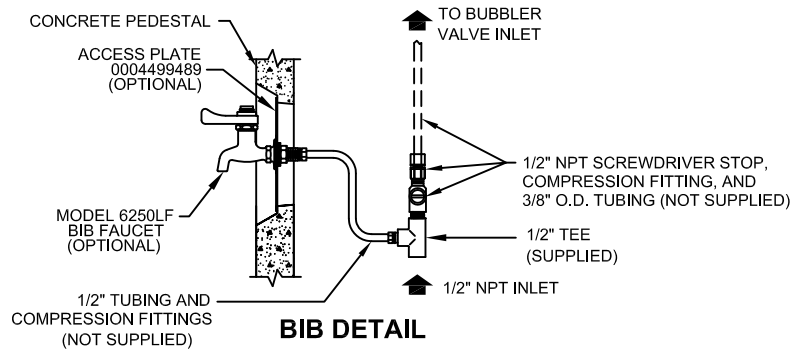


THIS DOCUMENT IS TRUE AND CORRECT AT TIME OF PUBLICATION. CONTINUED PRODUCT IMPROVEMENTS MAKE SPECIFICATIONS AND MEASUREMENTS SUBJECT TO CHANGE WITHOUT NOTICE.



NOTES:
 1 REFER TO 5874SS OPERATION AND MAINTENANCE MANUAL FOR PUSH BUTTON AND VALVE INSTALLATION/MAINTENANCE INSTRUCTIONS.

			1455 KLEPPE LANE SPARKS, NEVADA 89431 (775) 359-4712 FAX (755) 359-7424 E-MAIL: HAWS@HAWS.CO.COM WEBSITE: WWW.HAWS.CO.COM			
			ECN NO. REVIS PER BY: ECN:4646 HM DRAWN: C.J.L. DATE: 09/92 CHKD: APPROVED: DATE:	MODEL(S) 3121	PART NUMBER 0002077062.D DRAWING NO. REV 10388A00 15	
SCALE: 1:1			DRAWING TYPE: INSTALLATION		SIZE: A	SHEET 1 OF 1