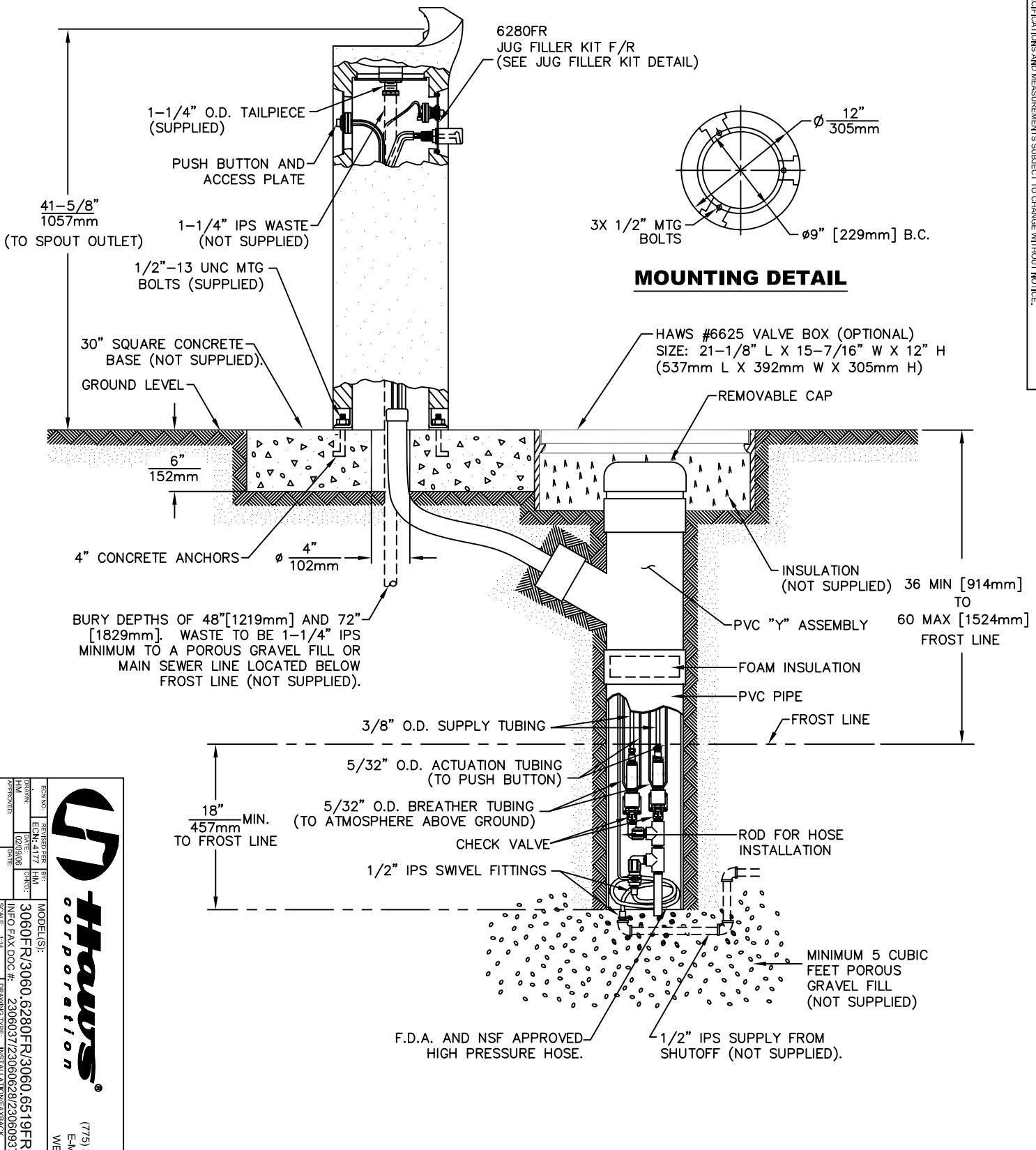


WITH 6518FR VALVE ASSEMBLY
SEE SHEET 4 OF 4 FOR DETAILS

- NOTE:**
1. SEE MODEL 3060.6280FR (SHT. 2 OF 4) FOR UNIT CONFIGURED WITH 6280FR JUG FILLER KIT.
 2. SEE MODEL 3060.6519FR (SHT. 3 OF 4) FOR UNIT CONFIGURED WITH 6519FR FREEZE VALVE.

Haws Corporation	
EGN NO. 12859788 ECN: 4177 HHA DATE: 12/92 APPROVER:	MODEL(S): 3060FR/3060.6280FR/3060.6519FR INFO FAX DOC #: 2306037/23060628/23060937 DRAWING TYPE: ASSEMBLY DRAWING
1455 KLEPPE LANE SPARKS, NEVADA 89431 (775) 359-4712 FAX (775) 359-7424 E-MAIL: HAWS@HAWSCO.COM WEBSITE: WWW.HAWSCO.COM	PART NO. 0360.6519FR/0360.6280FR QTY 8 SIZE A SHEET 1 OF 4



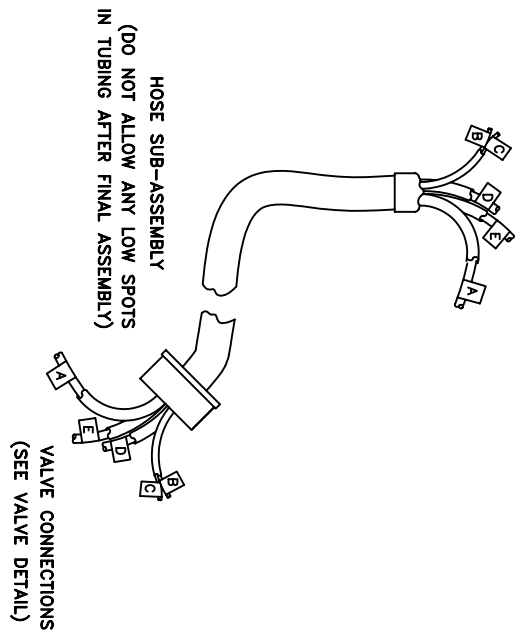
BURY DEPTHS OF 48" [1219mm] AND 72" [1829mm]. WASTE TO BE 1-1/4" IPS MINIMUM TO A POROUS GRAVEL FILL OR MAIN SEWER LINE LOCATED BELOW FROST LINE (NOT SUPPLIED).

18" MIN. TO FROST LINE
457mm

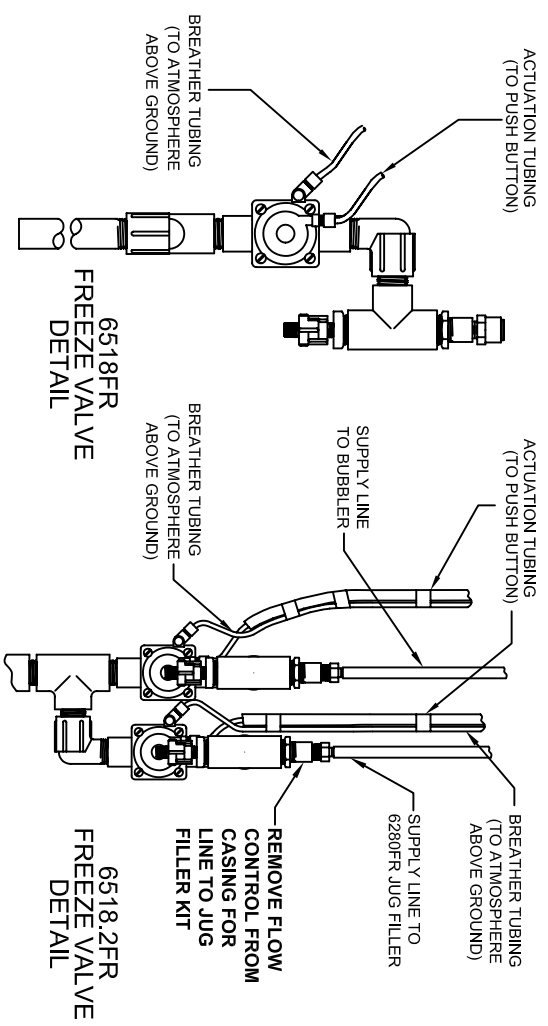
36 MIN [914mm] TO 60 MAX [1524mm] FROST LINE

WITH 6518.2FR VALVE ASSEMBLY
SEE SHEET 4 OF 4 FOR DETAILS

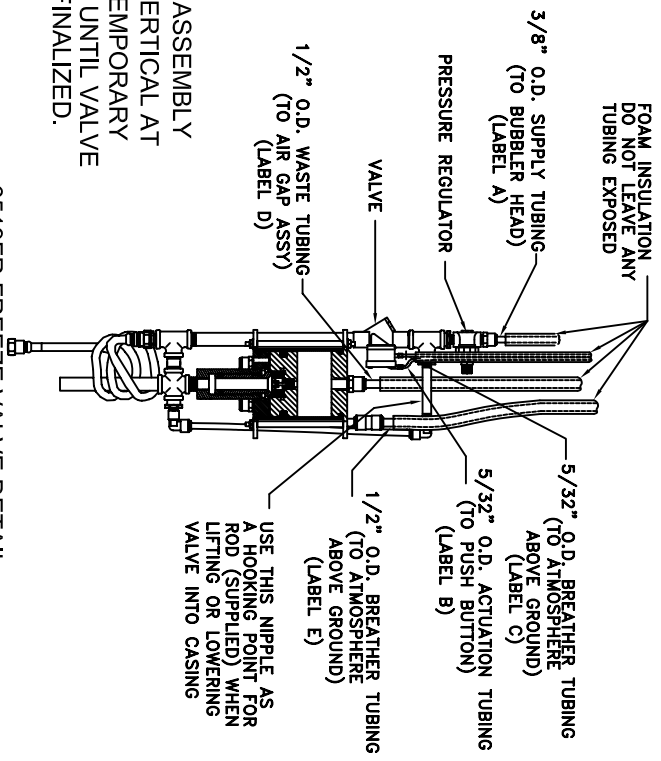
	<p>1455 KLEPPE LANE SPARKS, NEVADA 89431 (775) 359-4712 FAX (775) 359-7424 E-MAIL: HAWS@HAWSCC.COM WEBSITE: WWW.HAWSCC.COM</p>
<p>EQ. NO.: 3060FR/3060 6280FR/3060 6519FR DATE: 02/09/06 APPROVED: [Signature]</p>	<p>MODEL(S): 3060FR/3060 6280FR/3060 6519FR INFO FAX DOC #: 2306037/23090628/23090937</p>
<p>REV. 001/07/036 D 07634C00 8</p>	<p>REV. 001/07/036 D 07634C00 8</p>



FOUNTAIN CONNECTIONS
(FOLLOW INSTRUCTIONS ON LABELS)



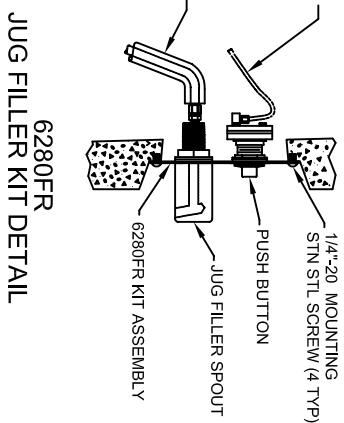
CAUTION: VALVE ASSEMBLY MUST BE KEPT VERTICAL AT ALL TIMES. USE TEMPORARY STAND PROVIDED UNTIL VALVE INSTALLATION IS FINALIZED.



6519FR FREEZE VALVE DETAIL
(3 WAY DIVIDER W/TUBING AT BASE NOT SHOWN FOR CLARITY)

ACTUATION TUBING (6/32") SUPPLIED WITH 6518.2FR VALVE SEE FREEZE VALVE DETAIL

SUPPLY TUBING CONNECTED TO FREEZE RESISTANT VALVE FOR JUG FILLER (BELOW GRADE) (NOTE: FLOW CONTROL MUST BE REMOVED)



6280FR JUG FILLER KIT DETAIL

Haws Corporation

1455 KLEPPE LANE
SPARKS, NEVADA 89431
(775) 359-4712 FAX (775) 359-7424
E-MAIL: HAWS@HAWS.CO.COM
WEBSITE: WWW.HAWS.CO.COM

PART NO.: 07634C00 DATE: 07/20/06 REV: 8	MODEL(S): 3060FR/3060, 6280FR/3060, 6519FR INFO FAX DOC #: 2306037/2306062/23060937 DATE: 02/09/06	APPROVER: HAW DATE: 02/09/06
--	--	---------------------------------