

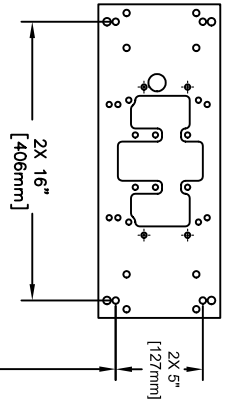
NOTES:

1. HOLD ROUGH-IN DIMENSIONS $\pm 1/4"$ (6.4mm)
2. WHEN INSTALLING THIS UNIT, LOCAL STATE OR FEDERAL CODES SHOULD BE ADHERED TO. FOR INSTALLATION HEIGHTS OTHER THAN SHOWN, DIMENSIONS MARKED (*) MUST BE ADJUSTED ACCORDINGLY.
3. REFER TO 5874/ARKS874 OPERATION AND MAINTENANCE MANUAL FOR PUSH BUTTON AND VALVE INSTALLATION AND MAINTENANCE INSTRUCTIONS.
4. ROUGH IN DIMENSIONS FOR FOUNTAIN HEIGHTS:

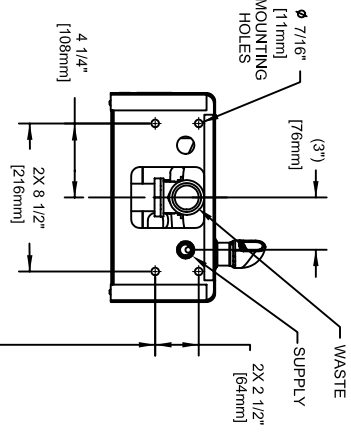
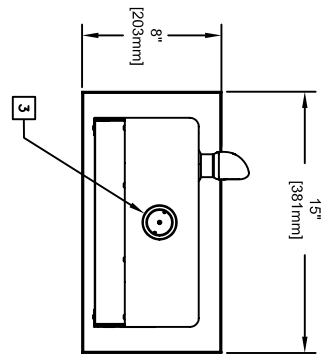
CHILD WHEELCHAIR HEIGHT: SEE SHIT 2 FIG 1
 WASTE: 26-1/4" (667mm)
 SUPPLY: 26-1/8" (664mm)
 MOUNTING HOLE: 24-13/16" (630mm)
 FOUNTAIN: 23-3/16" (589mm)
 BUBBLER: 24" (610mm)
 BUBBLER: 29-7/8" (756mm)

ADULT WHEELCHAIR HEIGHT: SEE SHIT 2 FIG 2
 WASTE: 29-1/4" (743mm)
 SUPPLY: 29-1/8" (740mm)
 MOUNTING HOLE: 27-13/16" (706mm)
 FOUNTAIN: 26-3/16" (665mm)
 BUBBLER: 27" (686mm)
 BUBBLER: 32-7/8" (832mm)

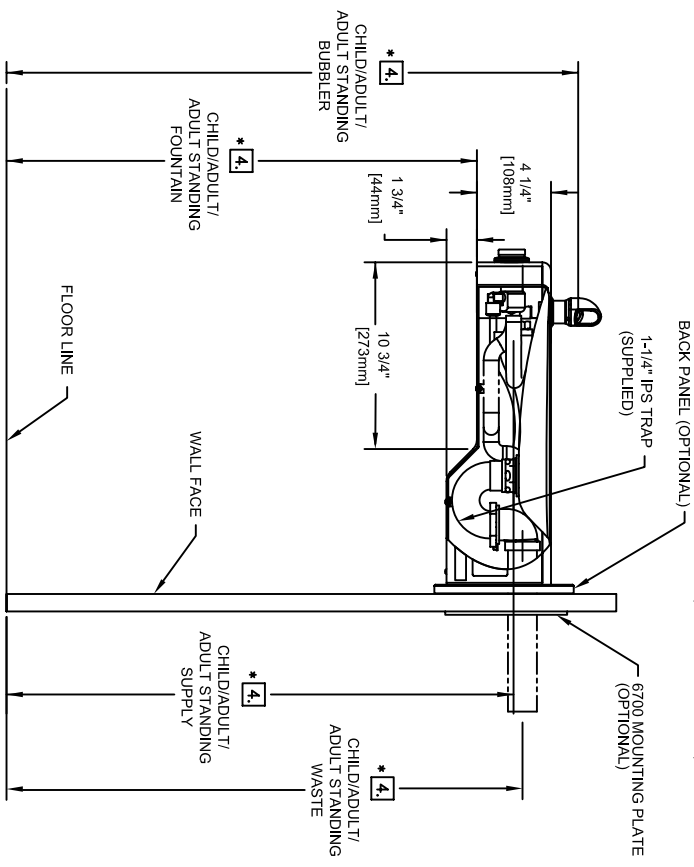
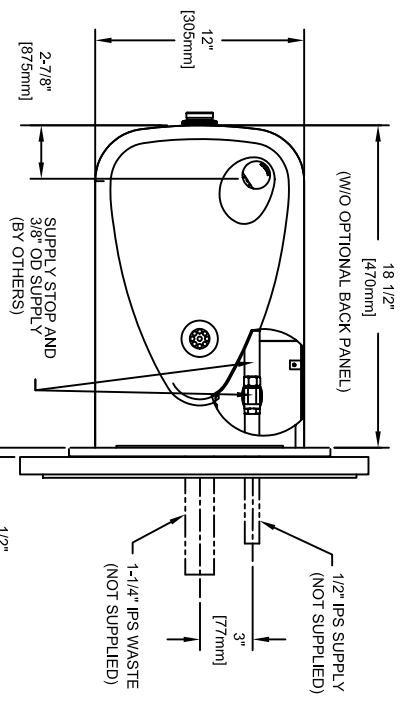
STANDING ADULT HEIGHT: SEE SHIT 2 FIG 3
 WASTE: 34-3/4" (883mm)
 SUPPLY: 34-5/8" (879mm)
 MOUNTING HOLE: 33-5/16" (846mm)
 FOUNTAIN: 31-11/16" (805mm)
 BUBBLER: 32-1/5" (826mm)
 BUBBLER: 38-3/8" (972mm)



CHILD/ADULT/
ADULT STANDING
MOUNTING PLATE

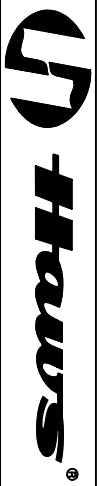


CHILD/ADULT/
ADULT STANDING
MOUNTING HOLE



MOUNTING DETAIL
BACK VIEW

MOUNTING PLATE
(OPTIONAL, HAWS 6700)



ECON NO. REVISED PER BY:	MODEL(S)	1107L
DRAWN: EGN:4903	DATE: CHK'D:	
C. FENNER	10/23/06	
APPROVER: DATE:	SCALE: 1:1	DRAWING TYPE: INSTALLATION
PART NUMBER: 0002080232D		
DRAWING NO. REV: 15267A00 10		

1455 KLEPPE LANE
 SPARKS, NEVADA 89431
 (775) 359-4712 FAX (758) 359-7424
 E-MAIL: HAWS@HAWS.CO.COM
 WEBSITE: WWW.HAWS.CO.COM