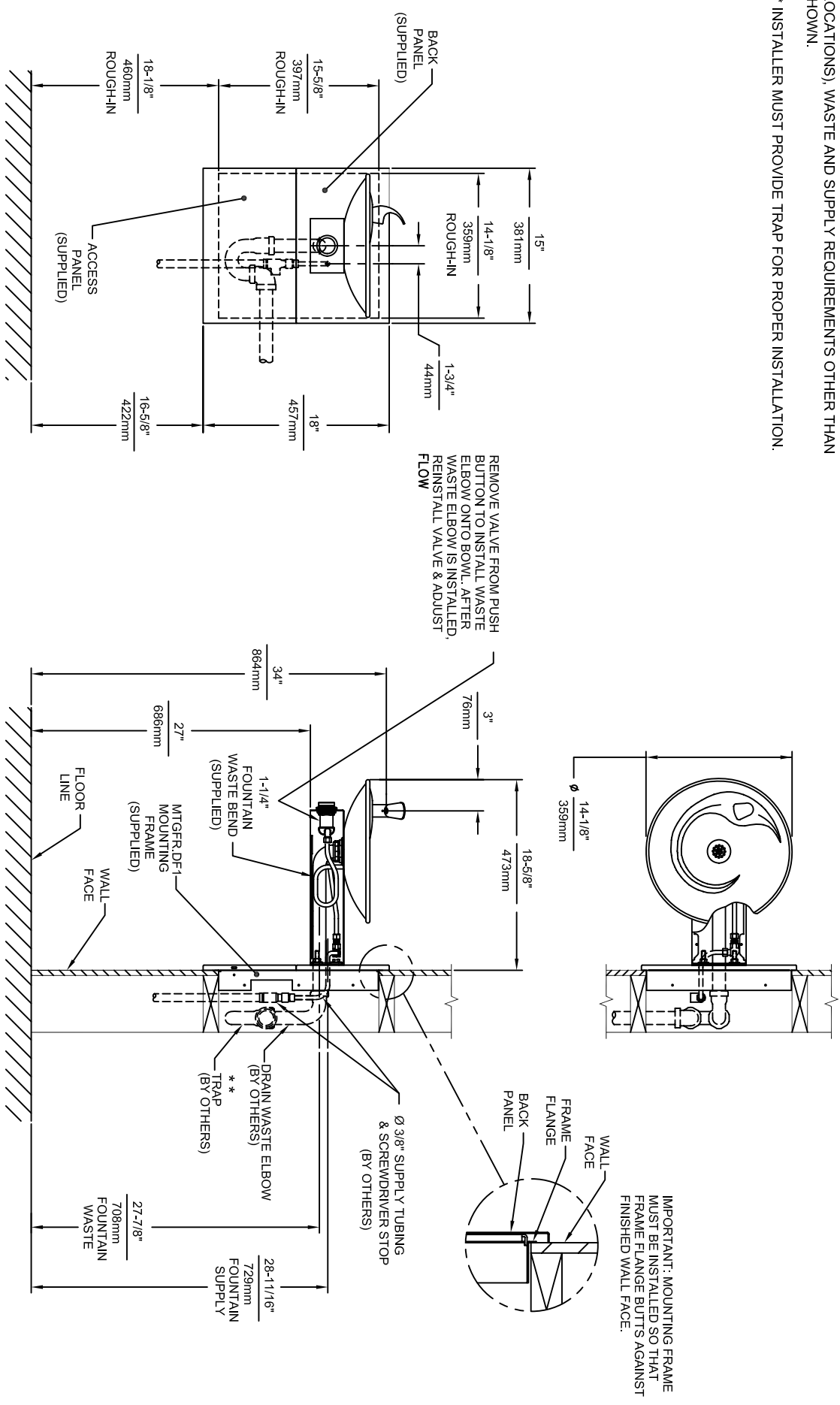


**NOTES:**

1. HOLD ROUGH-IN DIMENSIONS ± 1/8" (3.2mm).
2. WHEN INSTALLING THIS UNIT, LOCAL, STATE, OR FEDERAL CODES SHOULD BE ADHERED TO FOR INSTALLATION DIMENSIONS (LOCATIONS), WASTE AND SUPPLY REQUIREMENTS OTHER THAN SHOWN.
3. \*\* INSTALLER MUST PROVIDE TRAP FOR PROPER INSTALLATION.



**Haws Corporation**

INFO FAX : 1-888-FAX-HAWS (1-888-329-4297)

1455 Kiappa Ln, Sparks NV, 89431  
 Phone: 775-359-4712 Fax: 775-359-7424  
 Haws AG Buchweg 3 CH-3401 Burgdorf Switzerland  
 Haws King Pte Ltd 74 Sungei Kadut Loop Singapore 729531  
 e-mail: Haws@hawsco.com Website: www.hawsco.com

ORDER NO.	1001MS/1001HPSMS
DATE	8/02/99
REV	1
SCALE	1:1
APPROVER	
DATE	
MODEL(S)	1001MS/1001HPSMS
INFO FAX DOC #	2100167/2100147767
SCALE	1:1
BRAND	HAWS
INSTALLATION	FASEBCK
SIZE	A
SHEET	1 OF 1

©2006 Haws Corporation - All Rights Reserved HAWS® and other trademarks used in these materials are the exclusive property of Haws Corporation.